
solidsteel

TO SERVE MUSIC AND NOTHING ELSE



PRODUCT MANUALS

updated to 15/12/2023

SOLIDSTEEL ACCESSORIES

NOWP-1 | PAGES 1-2

ZENITH | PAGES 3-4

WS SERIES

WS-5 | PAGES 5-6

VL SERIES

VL-2 | PAGE 7

VL-3 | PAGE 8

VL-4 | PAGE 9

S2 SERIES

S2-3 | PAGES 10-11

S2-4 | PAGES 12-13

S2-5 | PAGES 14-15

S3 SERIES

S3-A | PAGES 16-17

S3-B | PAGES 18-19

S3-2 | PAGES 20-21

S3-3 | PAGES 22-23

S3-4 | PAGES 24-25

S3-5 | PAGES 26-27

S4 SERIES

S4-2 | PAGES 28-29

S4-3 | PAGES 30-31

S4-4 | PAGES 32-33

S5 SERIES

S5-2 | PAGES 34-35

S5-3 | PAGES 36-37

S5-4 | PAGES 38-39

S5-5 | PAGES 40-41

NS SERIES

NS-4 | PAGE 42

NS-6 | PAGE 43

NS-7 | PAGE 44

NS-10 | PAGE 45

SS SERIES

SS-5 | PAGE 46

SS-6 | PAGE 47

SS-7 | PAGE 48

HY SERIES

HY-A | PAGE 49

HY-B | PAGE 50

HY-C | PAGE 51

HY-2 | PAGE 52

HY-3 | PAGE 53

HY-4 | PAGE 54

HY-LC | PAGE 55

HY-2L | PAGE 56

HY-3L | PAGE 57

HY-4L | PAGE 58

HF SERIES

HF-A | PAGE 59

HF-B | PAGE 60

HF-C | PAGE 61

HF-2 | PAGE 62

HF-3 | PAGE 63

HF-4 | PAGE 64

HF-5 | PAGE 65

HF ÈLITE SERIES

HF-2 Èlite | PAGE 66

HF-2 Èlite | PAGE 67

HF-2 Èlite | PAGE 68

HW SERIES

HW-2 | PAGE 69

HW-3 | PAGE 70

HW-2L | PAGE 71

HW-3L | PAGE 72

HP SERIES

HP-A | PAGE 73

HP-2 | PAGE 74

HP-3 | PAGE 75

HP-4 | PAGE 76

SPECIAL RACKS

HFW-3XL | PAGE 77

HF-4-COLOSSUS | PAGE 78

VIBESTAND SERIES

BS-S | PAGE 79

BS-L | PAGE 80

GS-S | PAGE 81

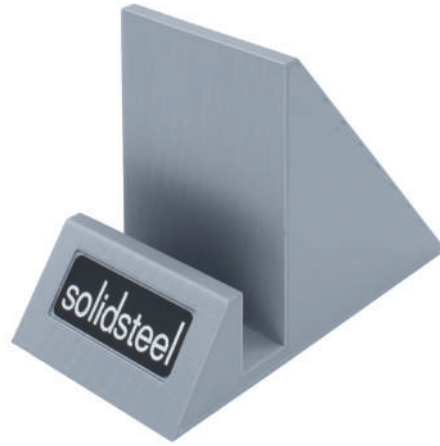
GS-L | PAGE 82

BGS-XL | PAGE 82

solidsteel

Made in Italy since 1990

NOWP-1



| **Product weight:** 0,27 Kg - 0,59 lbs

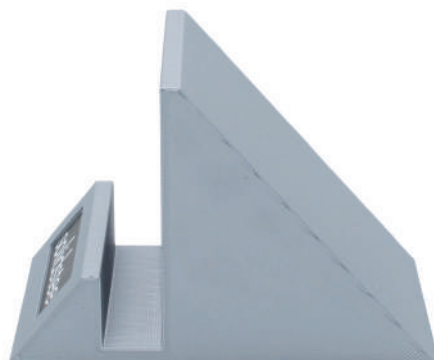
Solidsteel NOWP-1 is a vinyl record display, realized to position covers of what is listening by a turntable. **It is an easy way** to show records playing in a listening session, creating the propervibe and share it.

Solidsteel NOWP-1 is part of the **New Solidsteel Series of Accessories** that allow to realize smart and trendy products to satisfy the modern needs of audiophile.

Solidsteel NOWP-1 is made by **3D Printing** using **100% renewable PLA plastic**. The vinyl record display is also available in two different colors: **bronze** and **silver**.

| **Package Content:**

| A) NOWP-1

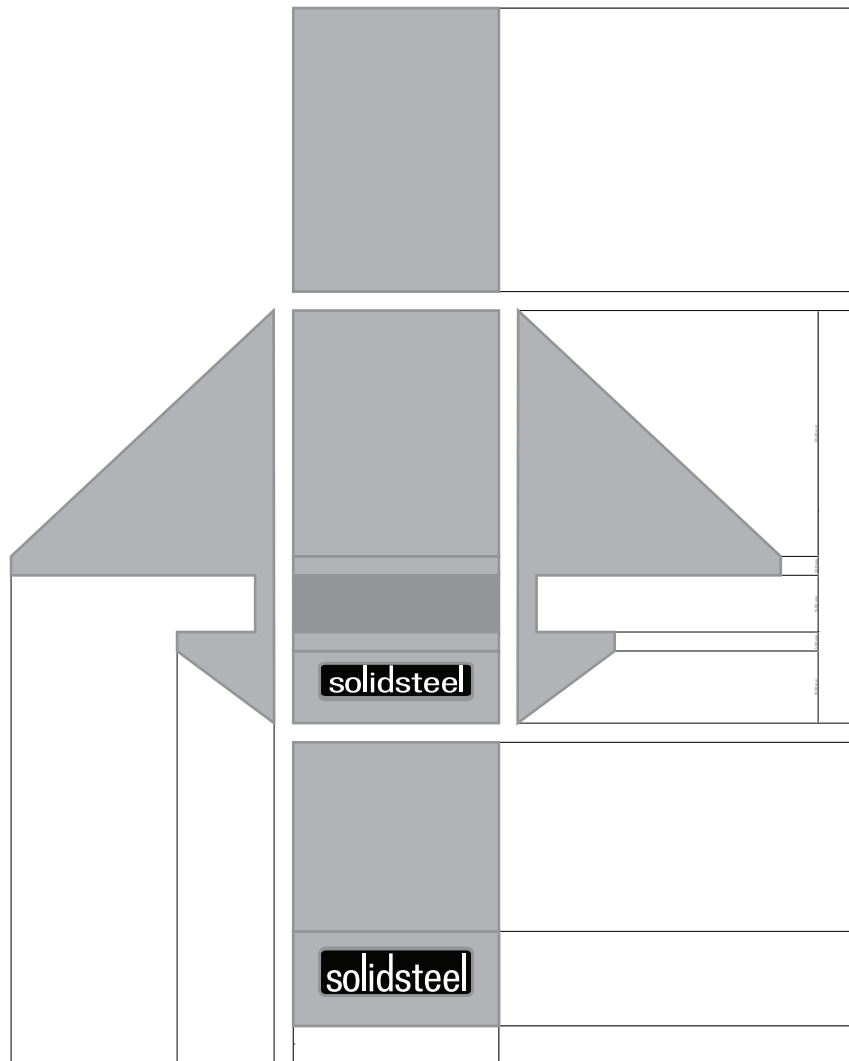


solidsteel

Made in Italy since 1990

NOWP-1

SCALE 1:10



Solidsteel MC Group S.r.l.

Strada Lungofino, 25 - Centro Ibisco
Blocco B1 65013 - Città Sant'Angelo (PE)

ITALY

E-mail: info@solidsteel.it

Website: www.solidsteel.it

solidsteel

Made in Italy since 1990

ZENITH



| **Product weight:** 0,27 Kg - 0,59 lbs

Solidsteel Zenith is an innovative headphones stand, made with modern and production techniques and ecological materials, with an elegant and contemporary design that guarantees perfect stability and balance with an extremely low weight.

Solidsteel Zenith is a great accessory meant to embellish a personal musical space, as well as a home or professional studio recording desk.

Solidsteel accessories are designed to offer intelligent and quality solutions that meet the needs of music lovers and the Hi-Fi world, thanks to its 30-plus year experience in the AV industry as a rack and speaker stand manufacturer, **100% italian-built**.

| **Package Content:**

| A) ZENITH

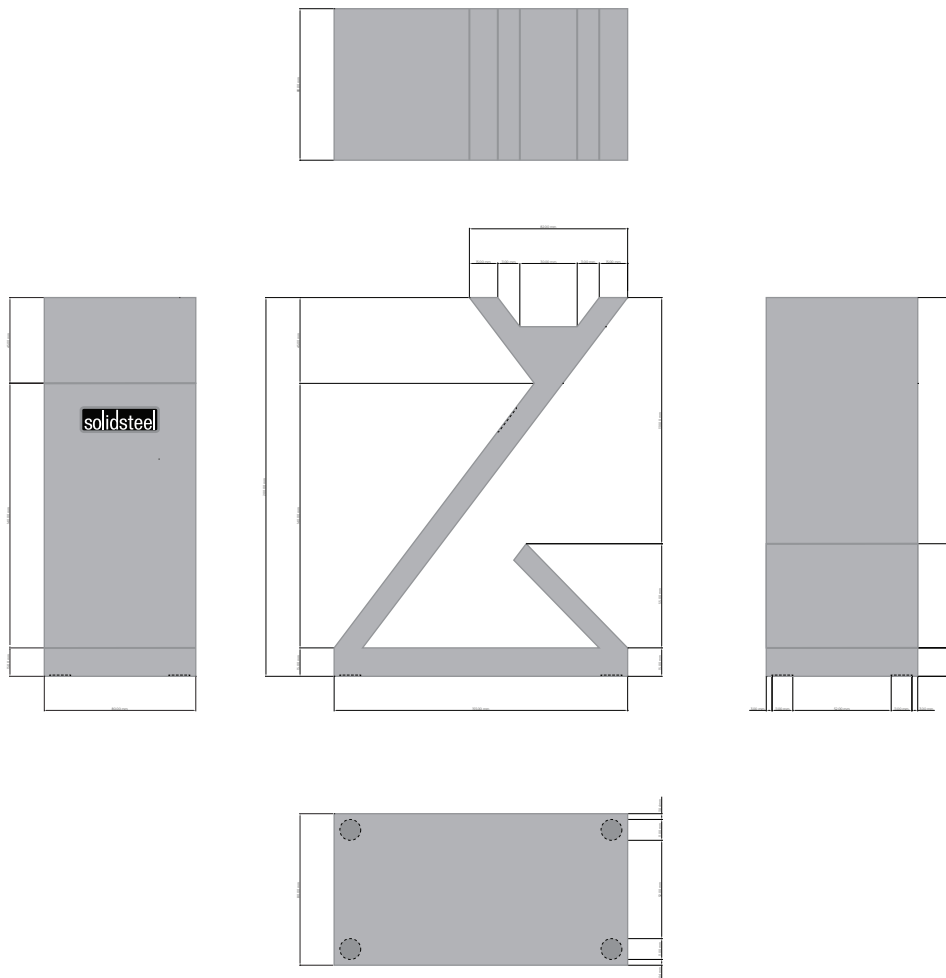


solidsteel

Made in Italy since 1990

ZENITH

SCALE 1:10



Solidsteel MC Group S.r.l.

Strada Lungofino, 25 - Centro Ibisco
Blocco B1 65013 - Città Sant'Angelo (PE)
ITALY

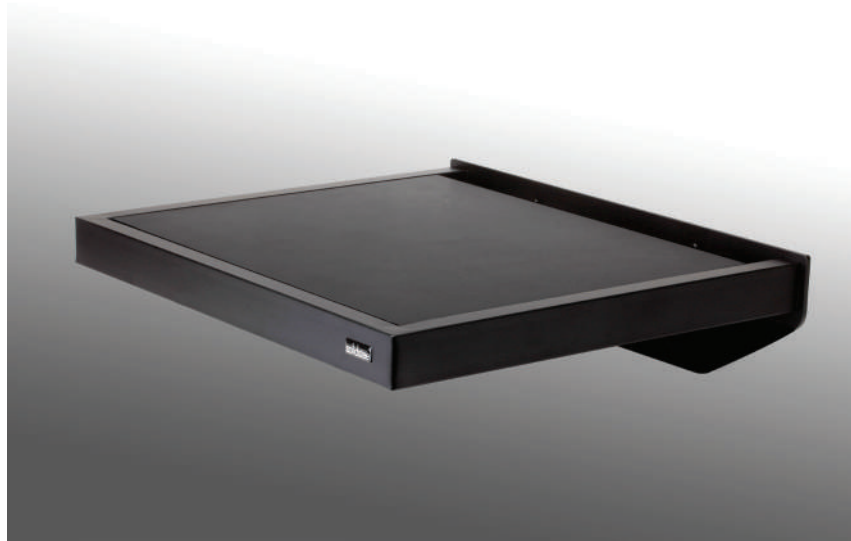
E-mail: info@solidsteel.it

Website: www.solidsteel.it

solidsteel

Made in Italy since 1990

WS-5 WALL SHELF



Product weight: 13,0 Kg - 28,66 lbs

Installation Guide:

Select a hollow wall drywall anchor rated to hold the weight of your component. There are numerous styles of drywall anchors and within each style there are different weight-bearing grades:

- For Brick and Concrete wall use 1/8" x 2" concrete anchor bolts;
- For Drywall or other type of hollow wall use 1/8" toggle bolts which can hold up to 100 pounds.

Package Content:

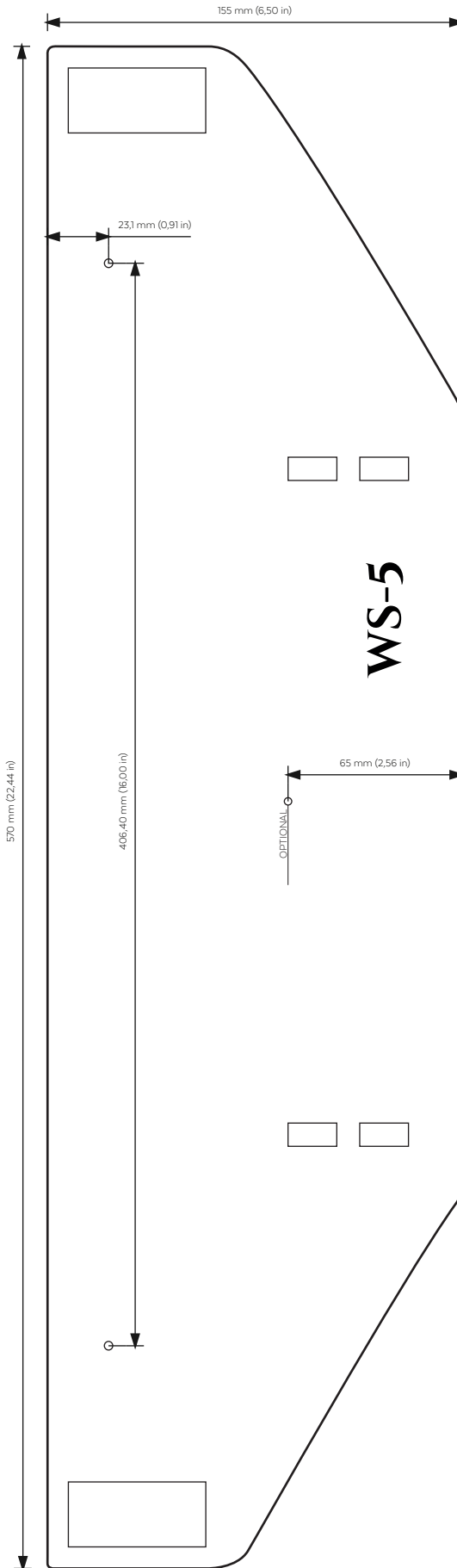
- A) WS-5 naked frame, x1
- B) WS-5 Shelf, x1
- C) Allen Key (3 mm), x1
- D) Concrete Anchor Bolts, 1/8" x 2", x3
- E) WS-5 aluminium cones, x4
- F) Drilling Jig/Template, x1

solidsteel

Made in Italy since 1990

WS-5 WALL SHELF

SCALE 1:10
WALL
CONFIGURATION

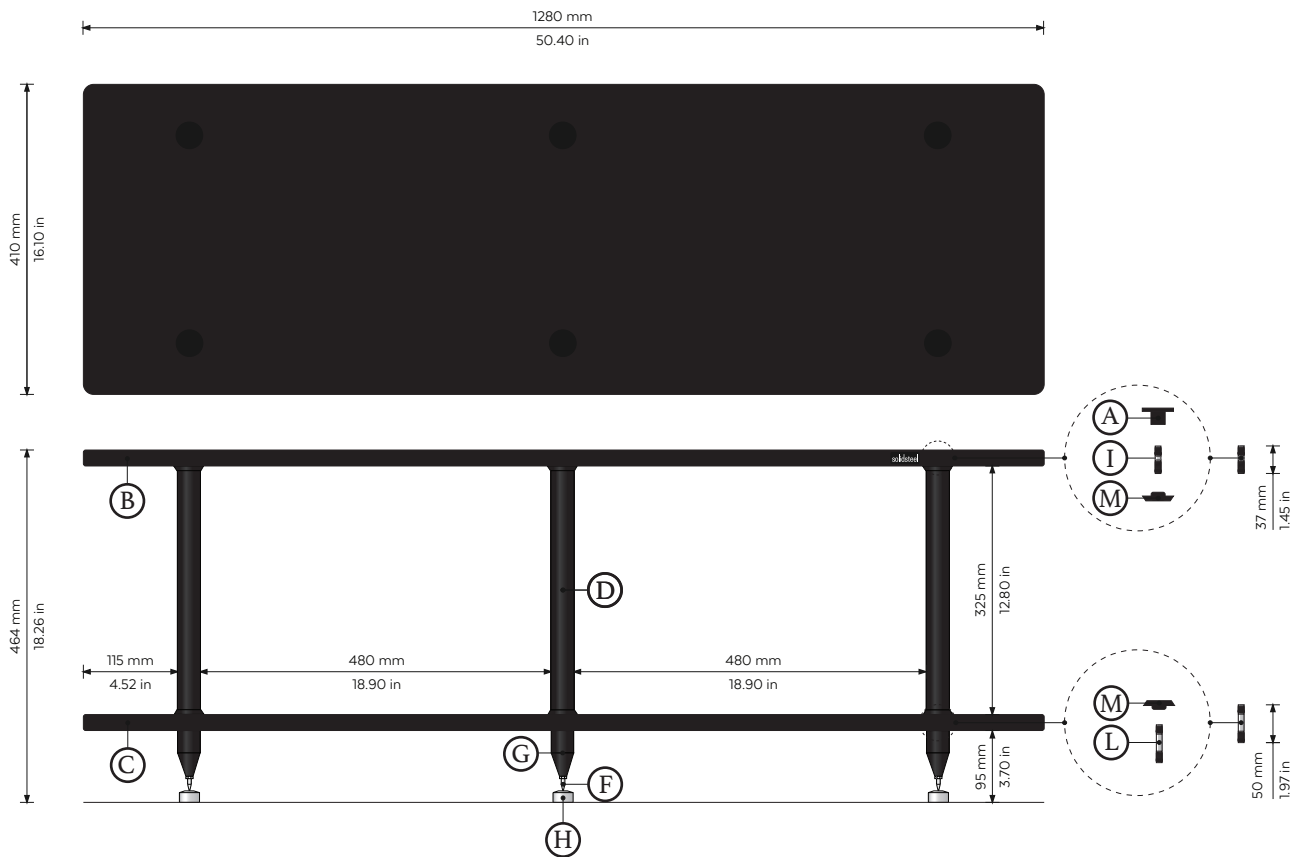


solidsteel

Made in Italy since 1990

VL-2 VINYL STORAGE HI-FI RACK SERIES

SCALE 1:10



Package Content:

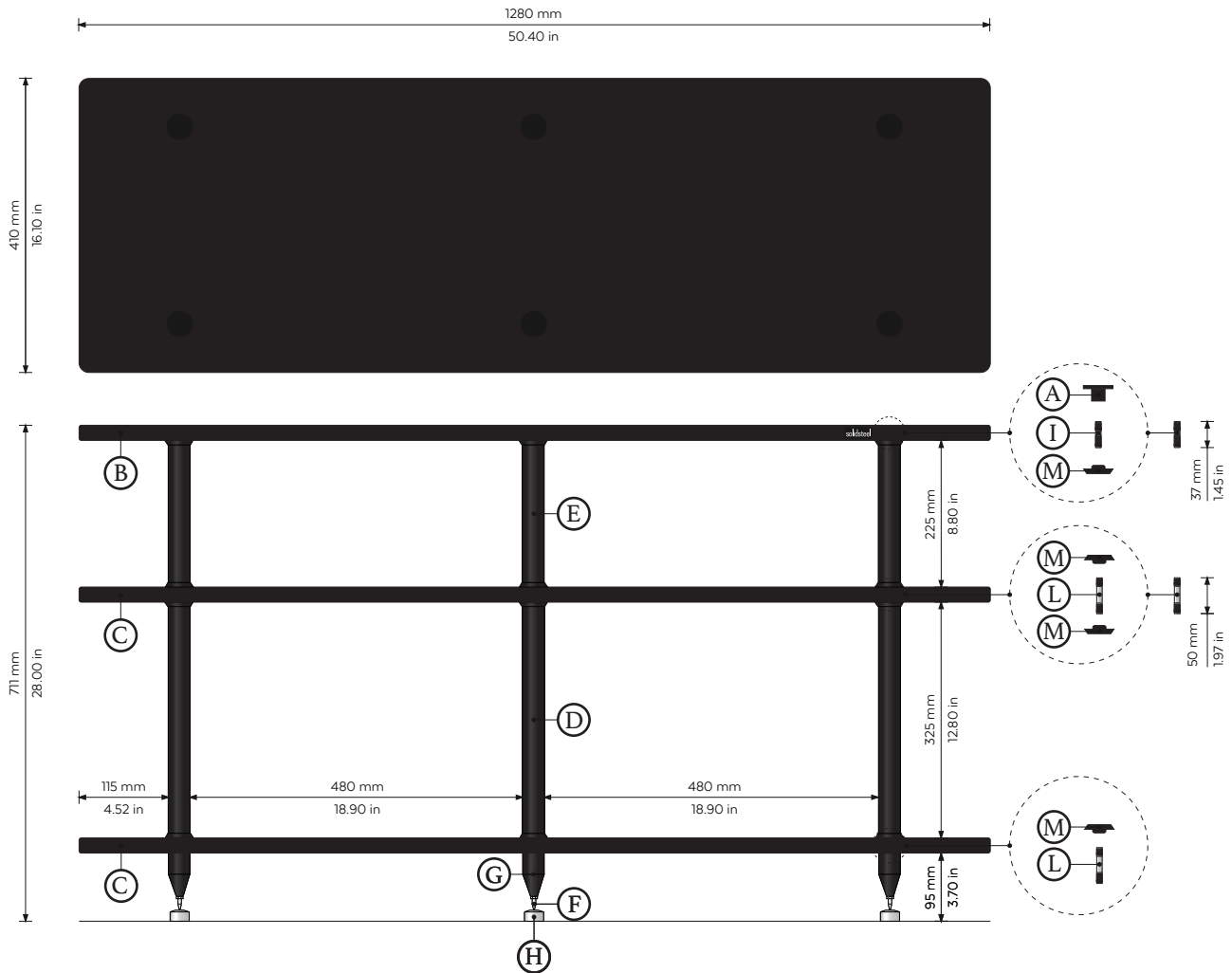
- A) Top Covers, x6
- B) Top Shelf, x1
- C) Inner Shelf, x1
- D) Aluminium Poles for 325 mm (12,80 in), x6
- F) Adjustable Spikes & M8 Nut, x6
- G) Bottom Floor Standing Hardware, x6
- H) Protective Inox Floor Discs, x6
- I) Screws for the Top, x6
- L) Screws for the Bottom, x6
- M) Connection Discs in ABS, x12

solidsteel

Made in Italy since 1990

VL-3 VINYL STORAGE HI-FI RACK SERIES

SCALE 1:10



Package Content:

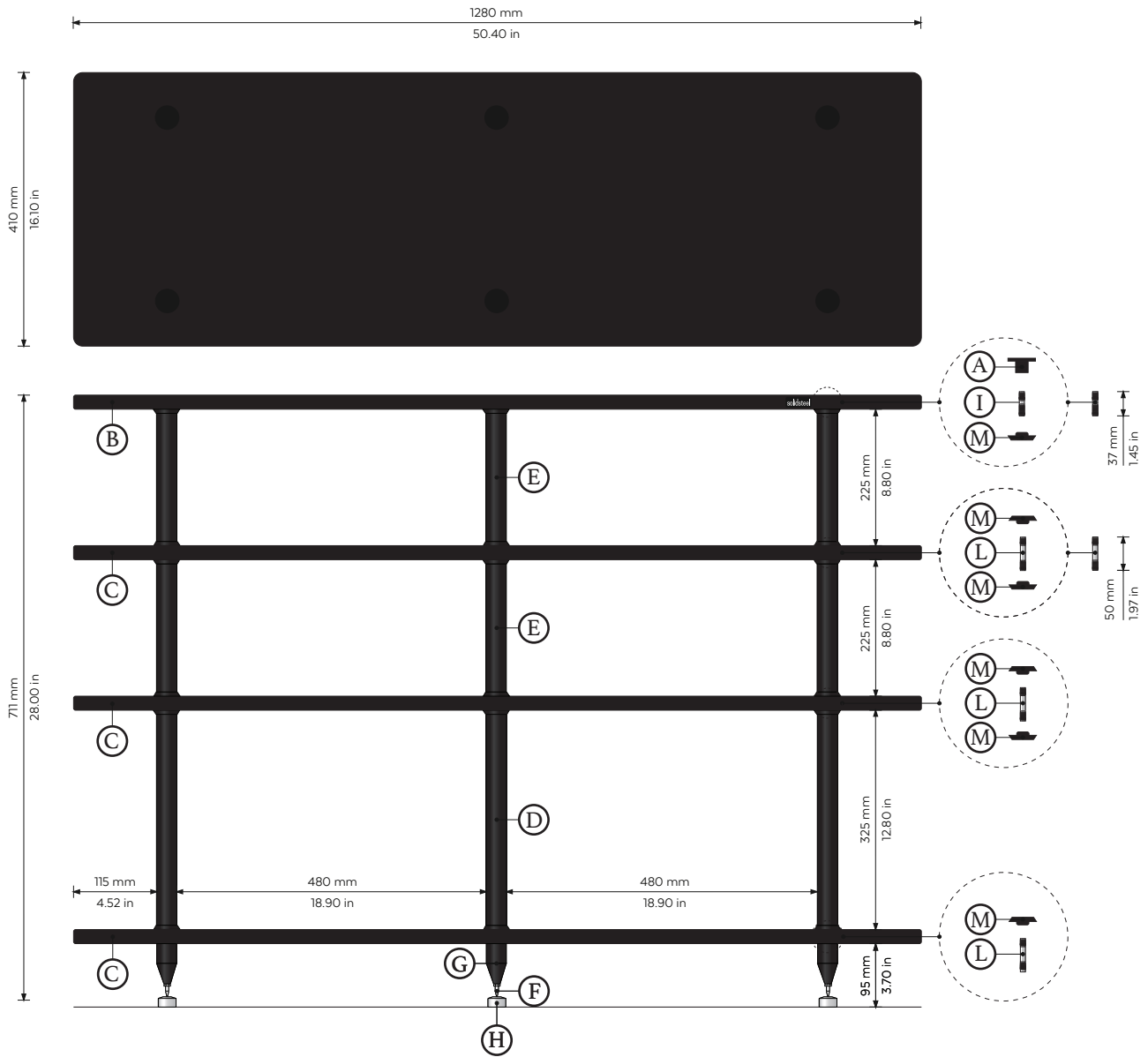
- A) Top Covers, x6
- B) Top Shelf, x1
- C) Inner Shelf, x2
- D) Aluminium Poles for 325 mm (12,80 in), x6
- E) Aluminium Poles for 225 mm (8,80 in), x6
- F) Adjustable Spikes & M8 Nut, x6
- G) Bottom Floor Standing Hardware, x6
- H) Screws for the Top, x6
- L) Screws for the Bottom, x6
- M) Connection Discs in ABS, x12
- N) Protective Inox Floor Discs, x6

solidsteel

Made in Italy since 1990

VL-3 VINYL STORAGE HI-FI RACK SERIES

SCALE 1:10



Package Content:

- A) Top Covers, x6
- B) Top Shelf, x1
- C) Inner Shelf, x3
- D) Aluminium Poles for 325 mm (12,80 in), x6
- E) Aluminium Poles for 225 mm (8,80 in), x12
- F) Adjustable Spikes & M8 Nut, x6
- G) Bottom Floor Standing Hardware, x6
- H) Protective Inox Floor Discs, x6
- I) Screws for the Top, x6
- L) Screws for the Bottom, x18
- M) Connection Discs in ABS, x36

solidsteel

Made in Italy since 1990

S2-3 SERIES

ALL THE PARTS

Dear Music Lover,

you just purchased one of our Hi-Fi racks designed to support your listenings.

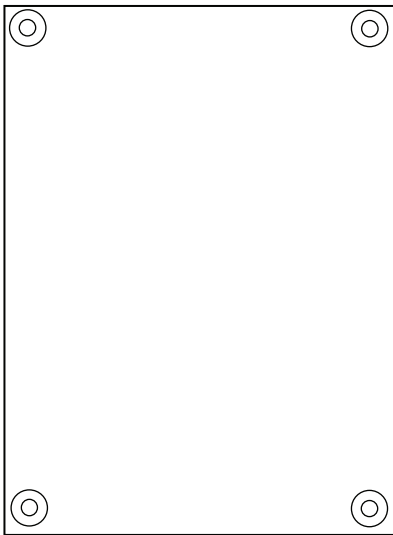
We recommends to assemble the product paying always attention to the floor surface to avoid scratches. After assembly is completed, do not forget to regulate the bottom spikes. To clean the shelves just use a damp cloth. The metal poles need to be well locked on the shelves. Face shelf can support a maximum weight of 50 Kg (110 lb).

The hardware parts are made to be well locked during the assembly process.

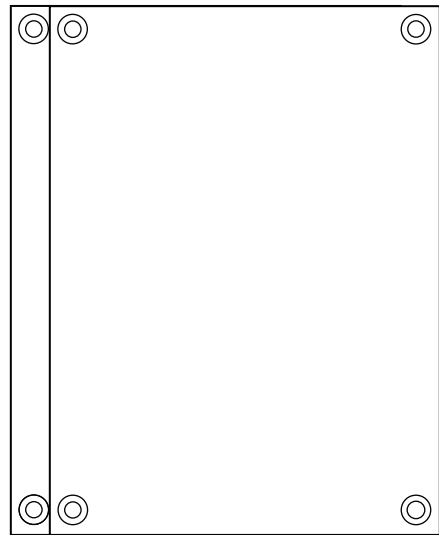
Always keep children away from the edges.

Thank you, we wish you all the best!

(A) Top Shelf



(B) Inner/Bottom Shelf



(D) Top Covers



(F) Bottom Floor Standing Hardware



(ST) Aluminium Poles



(E) Screws for The Top/Bottom Shelf 37 mm
1.45 in



(G) Adjustable Spikes & M8 Nut



(H) Protective Inox Floor Discs



(I) Screws for The Inner Shelf 50 mm
1.97 in



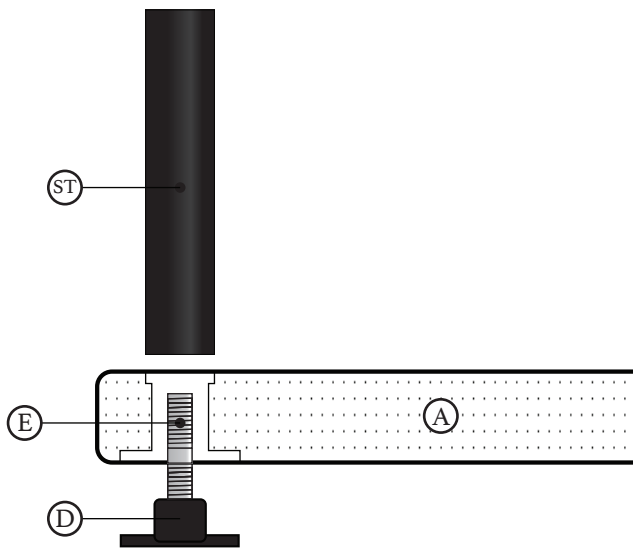
solidsteel

Made in Italy since 1990

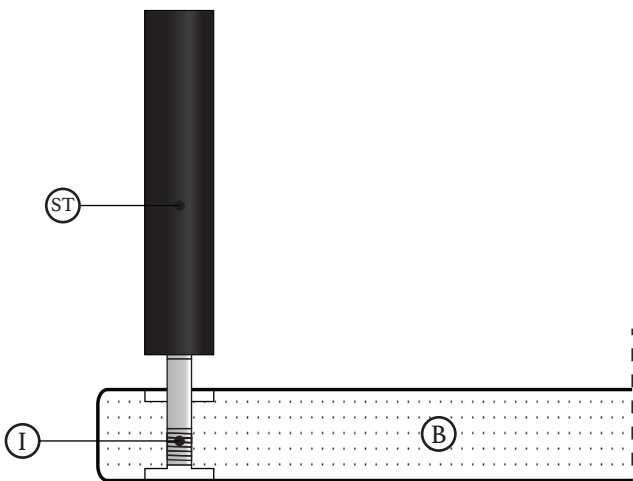
S2-3 SERIES

INSTALLATION

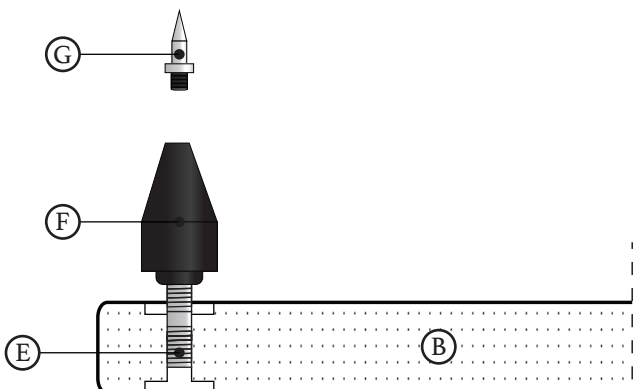
STEP 1



STEP 2



STEP 3



BEFORE STARTING: CONSIDER TO ASSEMBLE ALL THE HARDWARE PARTS UPSIDE DOWN FOR EACH SHELF TO EASY UP THE INSTALLATION. PREPARE A SAFE SURFACE FOR THE OPERATIONS.

Dear Music Lover,

thank you for purchasing one of our S2 Series racks. This product is specifically designed to valorize the enjoyability of your audio experiences and by following this short manual we will guide you through the safe product installation.

Important Recommendations:

- Before the assembly secure an installation zone and keep children, animals and third parts away from all the materials included into the package;
- Some steel parts, if handled without attention, could also be sharp;
- The product can be assembled by a single person but any secondary assistance could be helpful;
- The rack is made by dangerous spikes and hardware parts, so be extremely careful while assembling it. We decline any responsibility for any accidental damage to people, animals or objects;
- Before of assembling the product, find the proper place in which it will be placed. Sliding the product on the floor, during and after its installation, is always dangerous, so never do it;
- During the assembly always grab the shelves and not the hardware parts on them. This is the safest way for handling the product;
- For cleaning the shelves we simply suggest the use of a damp cloth;
- To avoid undesired issues never strike the structure, never give strong shakes and not use the product as if it was a chair;
- The product is only designed to support audio-video components;
- All the shelves are made of painted MDF wood, so gently move the components on them during the installation of your system.

Solidsteel MC Group S.r.l.

Strada Lungofino, 25 - Centro Ibisco

Blocco B1 65013 - Città Sant'Angelo (PE)

ITALY

E-mail: info@solidsteel.it

Website: www.solidsteel.it

solidsteel

Made in Italy since 1990

S2-4 SERIES

ALL THE PARTS

Dear Music Lover,

you just purchased one of our Hi-Fi racks designed to support your listenings.

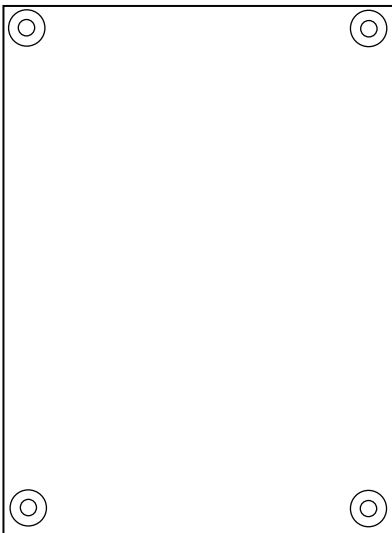
We recommends to assemble the product paying always attention to the floor surface to avoid scratches. After assembly is completed, do not forget to regulate the bottom spikes. To clean the shelves just use a damp cloth. The metal poles need to be well locked on the shelves. Face shelf can support a maximum weight of 50 Kg (110 Ib).

The hardware parts are made to be well locked during the assembly process.

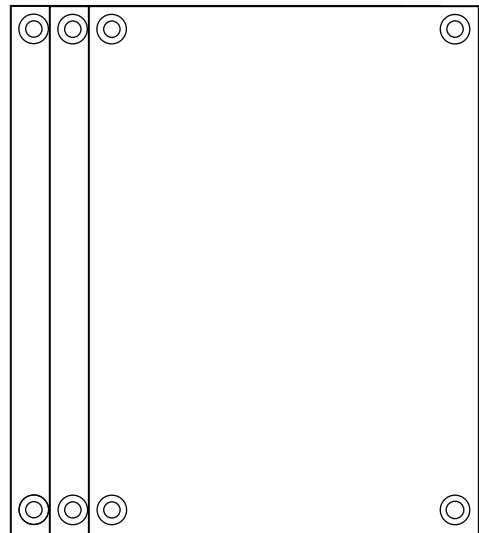
Always keep children away from the edges.

Thank you, we wish you all the best!

(A) Top Shelf



(B) Inner/Bottom Shelf



(D) Top Covers



(E) Screws for The Top/Bottom Shelf 37 mm
1.45 in



(F) Bottom Floor Standing Hardware



(G) Adjustable Spikes & M8 Nut



(ST) Aluminium Poles



(H) Protective Inox Floor Discs



(I) Screws for The Inner Shelf 50 mm
1.97 in



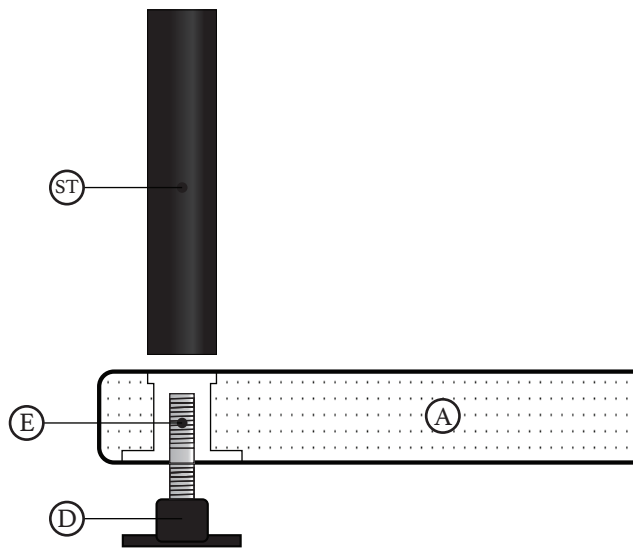
solidsteel

Made in Italy since 1990

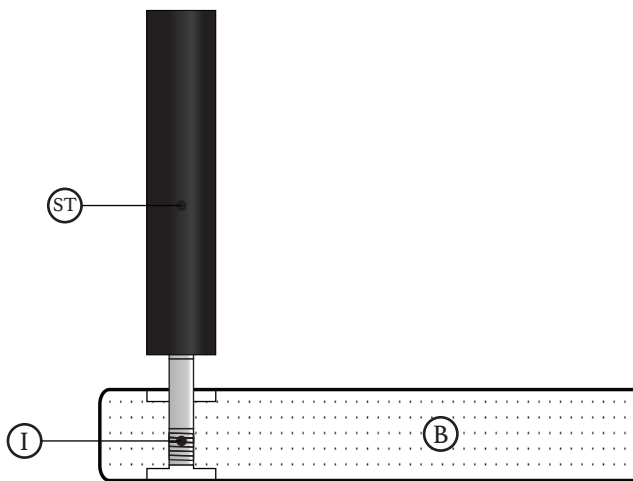
S2-4 SERIES

INSTALLATION

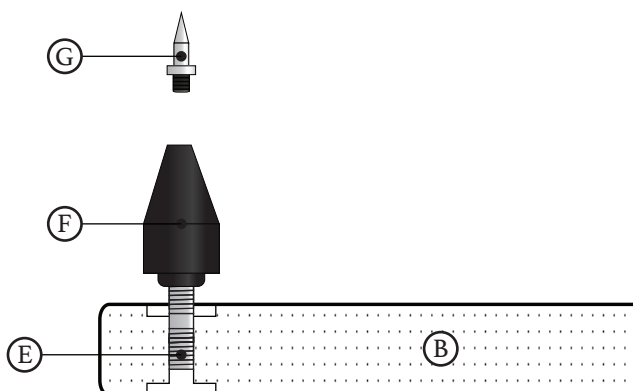
STEP 1



STEP 2



STEP 3



BEFORE STARTING: CONSIDER TO ASSEMBLE ALL THE HARDWARE PARTS UPSIDE DOWN FOR EACH SHELF TO EASY UP THE INSTALLATION. PREPARE A SAFE SURFACE FOR THE OPERATIONS.

Dear Music Lover,

thank you for purchasing one of our S2 Series racks. This product is specifically designed to valorize the enjoyability of your audio experiences and by following this short manual we will guide you through the safe product installation.

Important Recommendations:

- Before the assembly secure an installation zone and keep children, animals and third parts away from all the materials included into the package;
- Some steel parts, if handled without attention, could also be sharp;
- The product can be assembled by a single person but any secondary assistance could be helpful;
- The rack is made by dangerous spikes and hardware parts, so be extremely careful while assembling it. We decline any responsibility for any accidental damage to people, animals or objects;
- Before of assembling the product, find the proper place in which it will be placed. Sliding the product on the floor, during and after its installation, is always dangerous, so never do it;
- During the assembly always grab the shelves and not the hardware parts on them. This is the safest way for handling the product;
- For cleaning the shelves we simply suggest the use of a damp cloth;
- To avoid undesired issues never strike the structure, never give strong shakes and not use the product as if it was a chair;
- The product is only designed to support audio-video components;
- All the shelves are made of painted MDF wood, so gently move the components on them during the installation of your system.

Solidsteel MC Group S.r.l.

Strada Lungofino, 25 - Centro Ibisco

Blocco B1 65013 - Città Sant'Angelo (PE)

ITALY

E-mail: info@solidsteel.it

Website: www.solidsteel.it

solidsteel

Made in Italy since 1990

S2-5 SERIES

ALL THE PARTS

Dear Music Lover,

you just purchased one of our Hi-Fi racks designed to support your listenings.

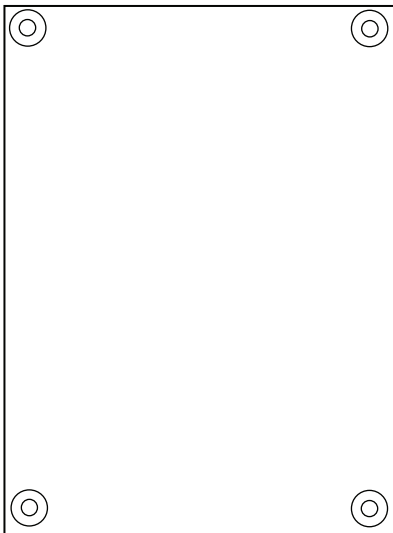
We recommends to assemble the product paying always attention to the floor surface to avoid scratches. After assembly is completed, do not forget to regulate the bottom spikes. To clean the shelves just use a damp cloth. The metal poles need to be well locked on the shelves. Face shelf can support a maximum weight of 50 Kg (110 Ib).

The hardware parts are made to be well locked during the assembly process.

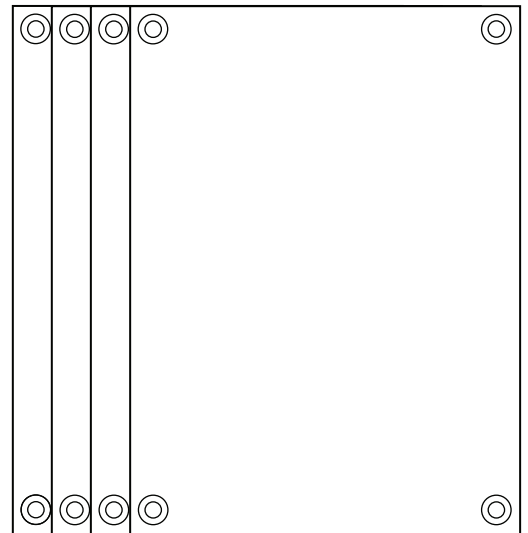
Always keep children away from the edges.

Thank you, we wish you all the best!

Ⓐ Top Shelf



Ⓑ Inner/Bottom Shelf



Ⓓ Top Covers



Ⓔ Screws for The Top/Bottom Shelf 37 mm / 1.45 in



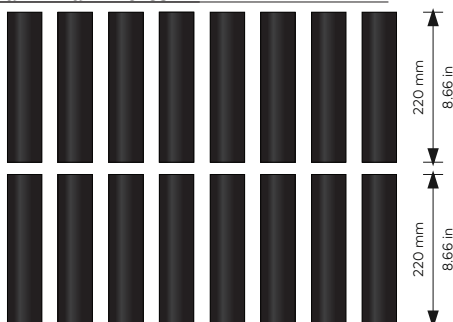
Ⓕ Bottom Floor Standing Hardware



Ⓖ Adjustable Spikes & M8 Nut



Ⓗ Aluminium Poles



Ⓙ Protective Inox Floor Discs



Ⓚ Screws for The Inner Shelf 50 mm / 1.97 in



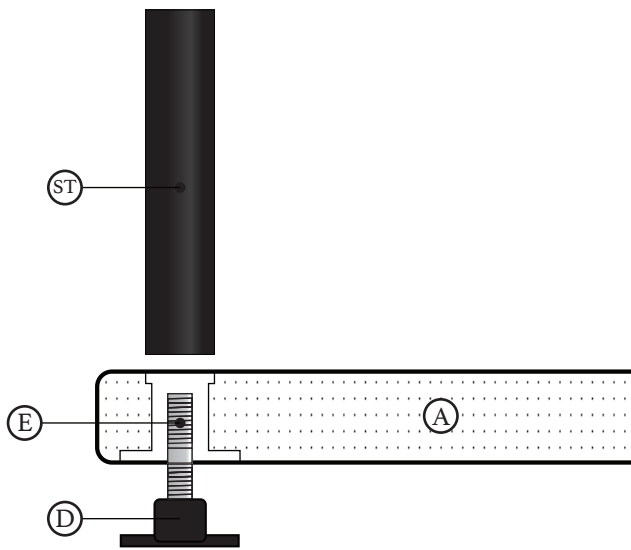
solidsteel

Made in Italy since 1990

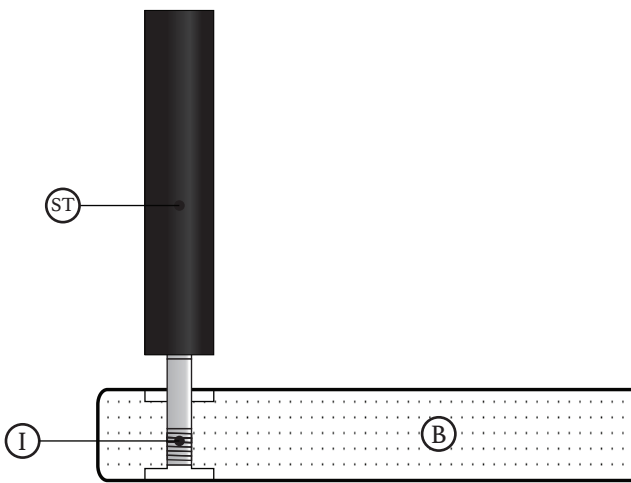
S2-5 SERIES

INSTALLATION

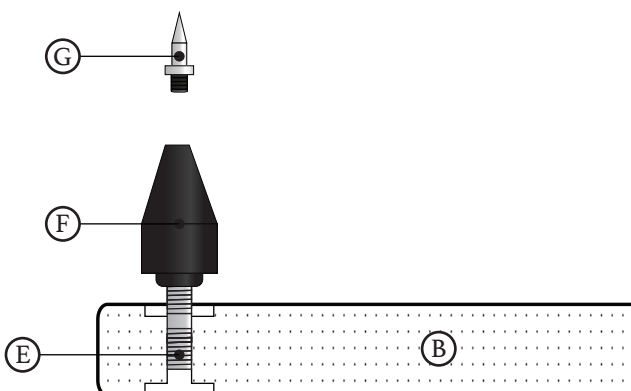
STEP 1



STEP 2



STEP 3



BEFORE STARTING: CONSIDER TO ASSEMBLE ALL THE HARDWARE PARTS UPSIDE DOWN FOR EACH SHELF TO EASY UP THE INSTALLATION. PREPARE A SAFE SURFACE FOR THE OPERATIONS.

Dear Music Lover,

thank you for purchasing one of our S2 Series racks. This product is specifically designed to valorize the enjoyability of your audio experiences and by following this short manual we will guide you through the safe product installation.

Important Recommendations:

- Before the assembly secure an installation zone and keep children, animals and third parts away from all the materials included into the package;
- Some steel parts, if handled without attention, could also be sharp;
- The product can be assembled by a single person but any secondary assistance could be helpful;
- The rack is made by dangerous spikes and hardware parts, so be extremely careful while assembling it. We decline any responsibility for any accidental damage to people, animals or objects;
- Before of assembling the product, find the proper place in which it will be placed. Sliding the product on the floor, during and after its installation, is always dangerous, so never do it;
- During the assembly always grab the shelves and not the hardware parts on them. This is the safest way for handling the product;
- For cleaning the shelves we simply suggest the use of a damp cloth;
- To avoid undesired issues never strike the structure, never give strong shakes and not use the product as if it was a chair;
- The product is only designed to support audio-video components;
- All the shelves are made of painted MDF wood, so gently move the components on them during the installation of your system.

Solidsteel MC Group S.r.l.

Strada Lungofino, 25 - Centro Ibisco

Blocco B1 65013 - Città Sant'Angelo (PE)

ITALY

E-mail: info@solidsteel.it

Website: www.solidsteel.it

solidsteel

Made in Italy since 1990

S3-A SERIES

ALL THE PARTS

Dear Music Lover,

you just purchased one of our Hi-Fi racks designed to support your listenings.

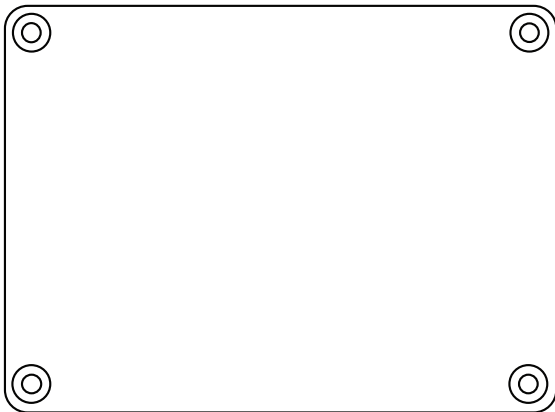
We recommends to assemble the product paying always attention to the floor surface to avoid scratches. After assembly is completed, do not forget to regulate the bottom spikes. To clean the shelves just use a damp cloth. The metal poles need to be well locked on the shelves. Face shelf can support a maximum weight of 110 Kg (240 lb).

The hardware parts are made to be well locked during the assembly process.

Always keep children away from the edges.

Thank you, we wish you all the best!

(A) Top Shelf



(D) Top Covers



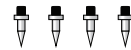
(E) Screws for The Top Shelf 37 mm
1.45 in



(F) Bottom Floor Standing Hardware



(G) Adjustable Spikes & M8 Nut



(I) Protective Inox Floor Discs



solidsteel

Made in Italy since 1990

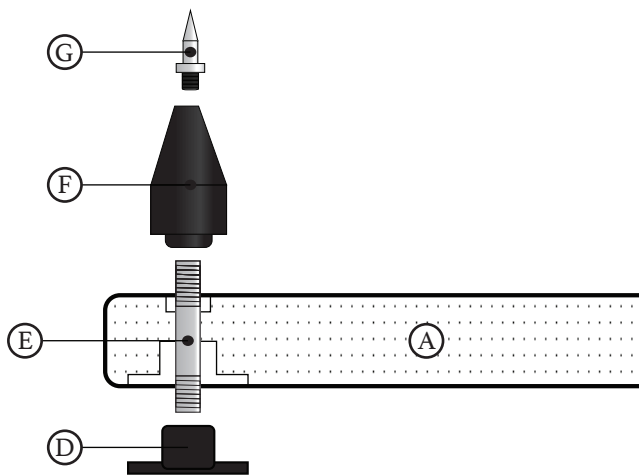
S3-A SERIES

INSTALLATION

BEFORE STARTING: CONSIDER TO ASSEMBLE ALL THE HARDWARE PARTS UPSIDE DOWN FOR EACH SHELF TO EASY UP THE INSTALLATION. PREPARE A SAFE SURFACE FOR THE OPERATIONS.

Dear Music Lover,

thank you for purchasing one of our S3 Series racks. This product is specifically designed to valorize the enjoyability of your audio experiences and by following this short manual we will guide you through the safe product installation.



Important Recommendations:

- Before the assembly secure an installation zone and keep children, animals and third parts away from all the materials included into the package;
- Some steel parts, if handled without attention, could also be sharp;
- The product can be assembled by a single person but any secondary assistance could be helpful;
- The rack is made by dangerous spikes and hardware parts, so be extremely careful while assembling it. We decline any responsibility for any accidental damage to people, animals or objects;
- Before of assembling the product, find the proper place in which it will be placed. Sliding the product on the floor, during and after its installation, is always dangerous, so never do it;
- During the assembly always grab the shelves and not the hardware parts on them. This is the safest way for handling the product;
- For cleaning the shelves we simply suggest the use of a damp cloth;
- To avoid undesired issues never strike the structure, never give strong shakes and not use the product as if it was a chair;
- The product is only designed to support audio-video components;
- All the shelves are made of painted MDF wood, so gently move the components on them during the installation of your system.

Solidsteel MC Group S.r.l.

Strada Lungofino, 25 - Centro Ibisco
Blocco B1 65013 - Città Sant'Angelo (PE)
ITALY
E-mail: info@solidsteel.it
Website: www.solidsteel.it

solidsteel

Made in Italy since 1990

S3-B SERIES

ALL THE PARTS

Dear Music Lover,

you just purchased one of our Hi-Fi racks designed to support your listenings.

We recommends to assemble the product paying always attention to the floor surface to avoid scratches. After assembly is completed, do not forget to regulate the bottom spikes. To clean the shelves just use a damp cloth. The metal poles need to be well locked on the shelves. Face shelf can support a maximum weight of 110 Kg (240 lb).

The hardware parts are made to be well locked during the assembly process.

Always keep children away from the edges.

Thank you, we wish you all the best!

(A) Top Shelf



(D) Top Covers



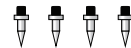
(E) Screws for The Top Shelf 37 mm
1.45 in



(F) Bottom Floor Standing Hardware



(G) Adjustable Spikes & M8 Nut



(I) Protective Inox Floor Discs



solidsteel

Made in Italy since 1990

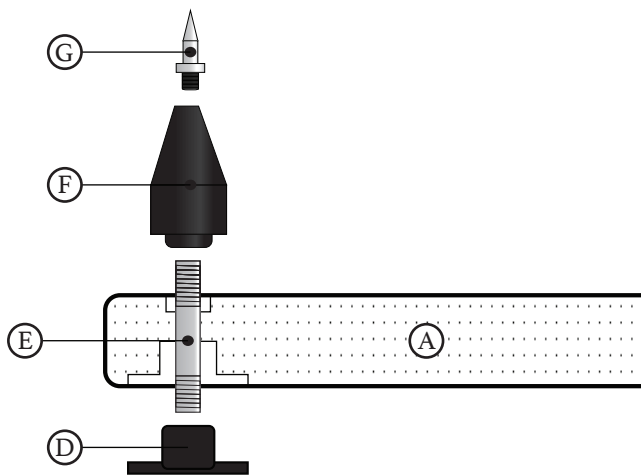
S3-B SERIES

INSTALLATION

BEFORE STARTING: CONSIDER TO ASSEMBLE ALL THE HARDWARE PARTS UPSIDE DOWN FOR EACH SHELF TO EASY UP THE INSTALLATION. PREPARE A SAFE SURFACE FOR THE OPERATIONS.

Dear Music Lover,

thank you for purchasing one of our S3 Series racks. This product is specifically designed to valorize the enjoyability of your audio experiences and by following this short manual we will guide you through the safe product installation.



Important Recommendations:

- Before the assembly secure an installation zone and keep children, animals and third parts away from all the materials included into the package;
- Some steel parts, if handled without attention, could also be sharp;
- The product can be assembled by a single person but any secondary assistance could be helpful;
- The rack is made by dangerous spikes and hardware parts, so be extremely careful while assembling it. We decline any responsibility for any accidental damage to people, animals or objects;
- Before of assembling the product, find the proper place in which it will be placed. Sliding the product on the floor, during and after its installation, is always dangerous, so never do it;
- During the assembly always grab the shelves and not the hardware parts on them. This is the safest way for handling the product;
- For cleaning the shelves we simply suggest the use of a damp cloth;
- To avoid undesired issues never strike the structure, never give strong shakes and not use the product as if it was a chair;
- The product is only designed to support audio-video components;
- All the shelves are made of painted MDF wood, so gently move the components on them during the installation of your system.

Solidsteel MC Group S.r.l.

Strada Lungofino, 25 - Centro Ibisco

Blocco B1 65013 - Città Sant'Angelo (PE)

ITALY

E-mail: info@solidsteel.it

Website: www.solidsteel.it

solidsteel

Made in Italy since 1990

S3-2 SERIES

ALL THE PARTS

Dear Music Lover,

you just purchased one of our Hi-Fi racks designed to support your listenings.

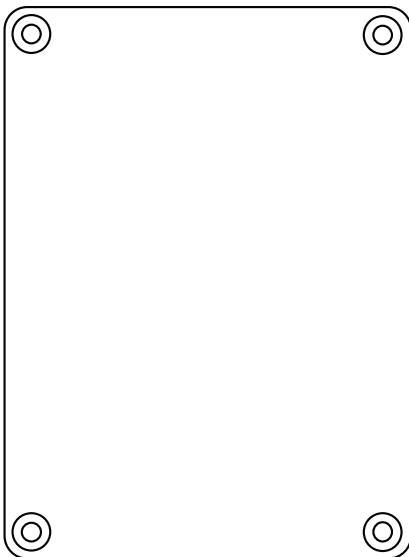
We recommends to assemble the product paying always attention to the floor surface to avoid scratches. After assembly is completed, do not forget to regulate the bottom spikes. To clean the shelves just use a damp cloth. The metal poles need to be well locked on the shelves. Face shelf can support a maximum weight of 110 Kg (240 lb).

The hardware parts are made to be well locked during the assembly process.

Always keep children away from the edges.

Thank you, we wish you all the best!

(A) Top Shelf



(B) Inner/Bottom Shelf



(D) Top Covers



(F) Bottom Floor Standing Hardware



(K) Connection Discs in ABS



(ST) Aluminium Poles



(E) Screws for The Top Shelf

37 mm
31.45 in



(G) Adjustable Spikes & M8 Nut



(H) Protective Inox Floor Discs



(L) Screws for The Bottom Shelf

50 mm
1.97 in



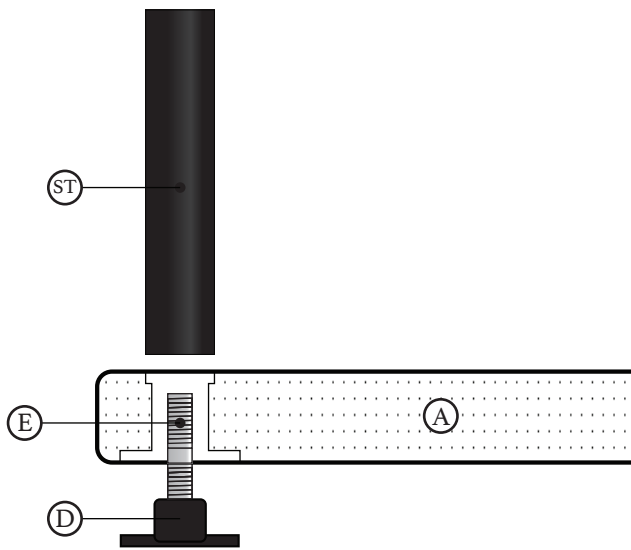
solidsteel

Made in Italy since 1990

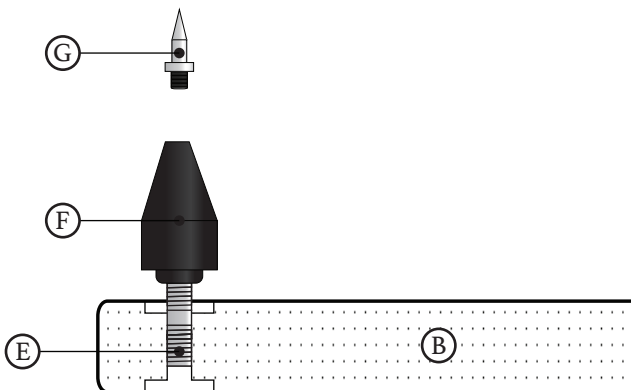
S3-2 SERIES

INSTALLATION

STEP 1



STEP 2



BEFORE STARTING: CONSIDER TO ASSEMBLE ALL THE HARDWARE PARTS UPSIDE DOWN FOR EACH SHELF TO EASY UP THE INSTALLATION. PREPARE A SAFE SURFACE FOR THE OPERATIONS.

Dear Music Lover,

thank you for purchasing one of our S2 Series racks. This product is specifically designed to valorize the enjoyability of your audio experiences and by following this short manual we will guide you through the safe product installation.

Important Recommendations:

- Before the assembly secure an installation zone and keep children, animals and third parts away from all the materials included into the package;
- Some steel parts, if handled without attention, could also be sharp;
- The product can be assembled by a single person but any secondary assistance could be helpful;
- The rack is made by dangerous spikes and hardware parts, so be extremely careful while assembling it. We decline any responsibility for any accidental damage to people, animals or objects;
- Before of assembling the product, find the proper place in which it will be placed. Sliding the product on the floor, during and after its installation, is always dangerous, so never do it;
- During the assembly always grab the shelves and not the hardware parts on them. This is the safest way for handling the product;
- For cleaning the shelves we simply suggest the use of a damp cloth;
- To avoid undesired issues never strike the structure, never give strong shakes and not use the product as if it was a chair;
- The product is only designed to support audio-video components;
- All the shelves are made of painted MDF wood, so gently move the components on them during the installation of your system.

Solidsteel MC Group S.r.l.

Strada Lungofino, 25 - Centro Ibisco

Blocco B1 65013 - Città Sant'Angelo (PE)

ITALY

E-mail: info@solidsteel.it

Website: www.solidsteel.it

solidsteel

Made in Italy since 1990

S3-3 SERIES

ALL THE PARTS

Dear Music Lover,

you just purchased one of our Hi-Fi racks designed to support your listenings.

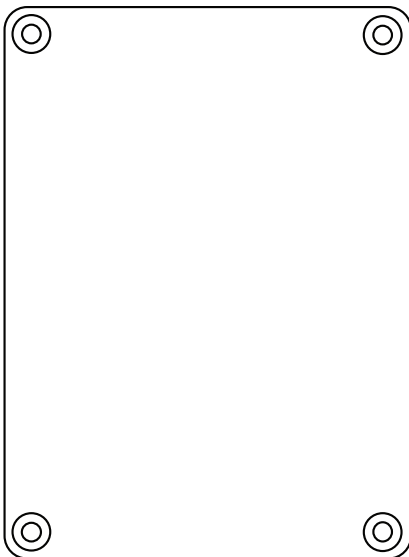
We recommends to assemble the product paying always attention to the floor surface to avoid scratches. After assembly is completed, do not forget to regulate the bottom spikes. To clean the shelves just use a damp cloth. The metal poles need to be well locked on the shelves. Face shelf can support a maximum weight of 110 Kg (240 lb).

The hardware parts are made to be well locked during the assembly process.

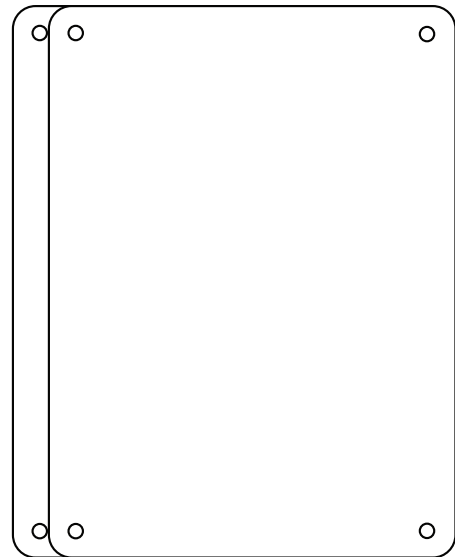
Always keep children away from the edges.

Thank you, we wish you all the best!

(A) Top Shelf



(B) Inner/Bottom Shelf



(D) Top Covers



(F) Bottom Floor Standing Hardware



(K) Connection Discs in ABS



(ST) Aluminium Poles



(E) Screws for The Top Shelf

37 mm
1.45 in



(G) Adjustable Spikes & M8 Nut



(H) Protective Inox Floor Discs



(I) Screws for The Inner Shelf

60 mm
2.60 in



(L) Screws for The Bottom Shelf

50 mm
1.97 in



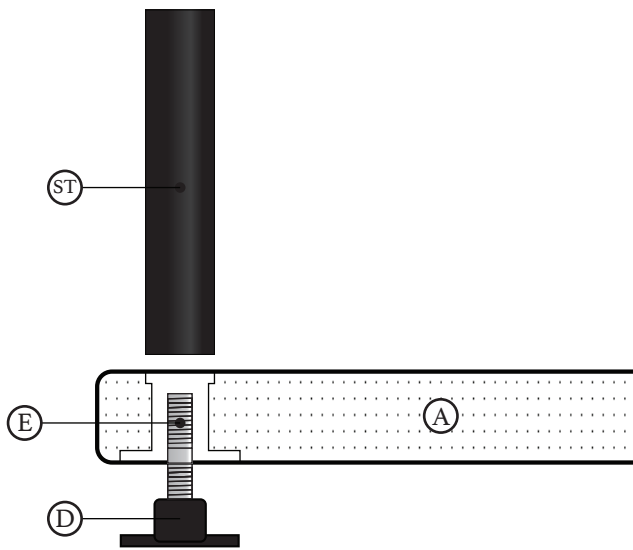
solidsteel

Made in Italy since 1990

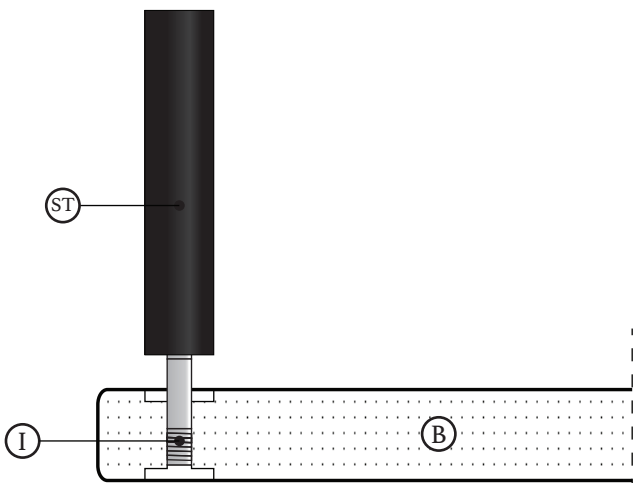
S3-3 SERIES

INSTALLATION

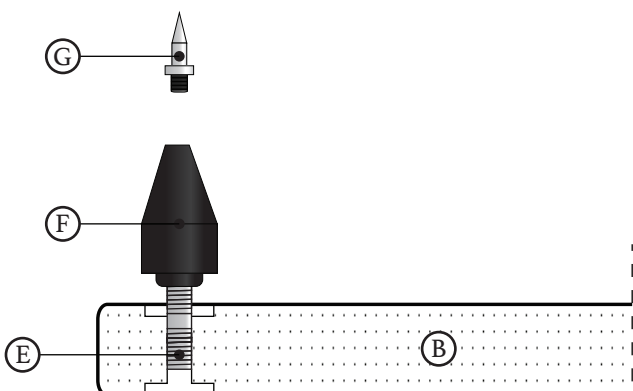
STEP 1



STEP 2



STEP 3



BEFORE STARTING: CONSIDER TO ASSEMBLE ALL THE HARDWARE PARTS UPSIDE DOWN FOR EACH SHELF TO EASY UP THE INSTALLATION. PREPARE A SAFE SURFACE FOR THE OPERATIONS.

Dear Music Lover,

thank you for purchasing one of our S2 Series racks. This product is specifically designed to valorize the enjoyability of your audio experiences and by following this short manual we will guide you through the safe product installation.

Important Recommendations:

- Before the assembly secure an installation zone and keep children, animals and third parts away from all the materials included into the package;
- Some steel parts, if handled without attention, could also be sharp;
- The product can be assembled by a single person but any secondary assistance could be helpful;
- The rack is made by dangerous spikes and hardware parts, so be extremely careful while assembling it. We decline any responsibility for any accidental damage to people, animals or objects;
- Before of assembling the product, find the proper place in which it will be placed. Sliding the product on the floor, during and after its installation, is always dangerous, so never do it;
- During the assembly always grab the shelves and not the hardware parts on them. This is the safest way for handling the product;
- For cleaning the shelves we simply suggest the use of a damp cloth;
- To avoid undesired issues never strike the structure, never give strong shakes and not use the product as if it was a chair;
- The product is only designed to support audio-video components;
- All the shelves are made of painted MDF wood, so gently move the components on them during the installation of your system.

Solidsteel MC Group S.r.l.

Strada Lungofino, 25 - Centro Ibisco

Blocco B1 65013 - Città Sant'Angelo (PE)

ITALY

E-mail: info@solidsteel.it

Website: www.solidsteel.it

solidsteel

Made in Italy since 1990

S3-4 SERIES

ALL THE PARTS

Dear Music Lover,

you just purchased one of our Hi-Fi racks designed to support your listenings.

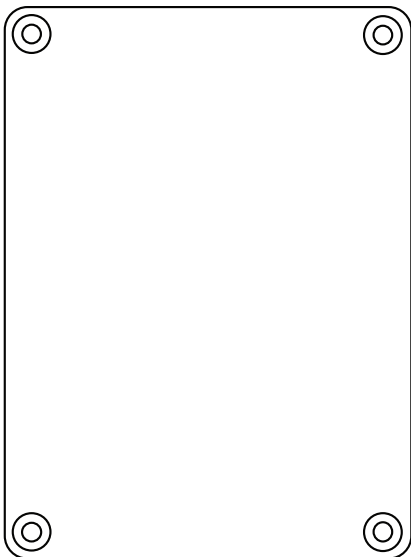
We recommends to assemble the product paying always attention to the floor surface to avoid scratches. After assembly is completed, do not forget to regulate the bottom spikes. To clean the shelves just use a damp cloth. The metal poles need to be well locked on the shelves. Face shelf can support a maximum weight of 110 Kg (240 lb).

The hardware parts are made to be well locked during the assembly process.

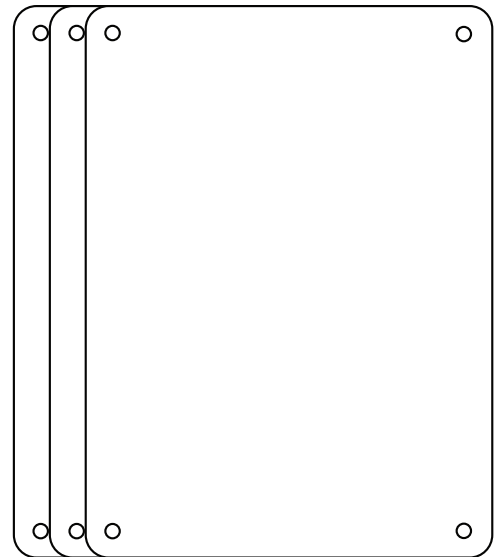
Always keep children away from the edges.

Thank you, we wish you all the best!

(A) Top Shelf



(B) Inner/Bottom Shelf



(D) Top Covers



(F) Bottom Floor Standing Hardware



(K) Connection Discs in ABS



(ST) Aluminium Poles



245 mm
9.65 in



225 mm
8.85 in

(E) Screws for The Top Shelf

37 mm
1.45 in



(G) Adjustable Spikes & M8 Nut

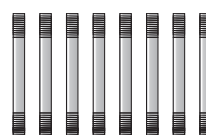


(H) Protective Inox Floor Discs



(I) Screws for The Inner Shelf

60 mm
2.60 in



(L) Screws for The Bottom Shelf

50 mm
1.97 in



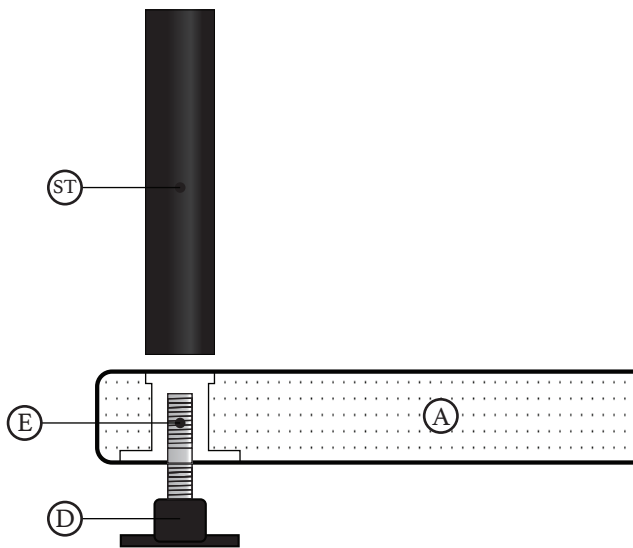
solidsteel

Made in Italy since 1990

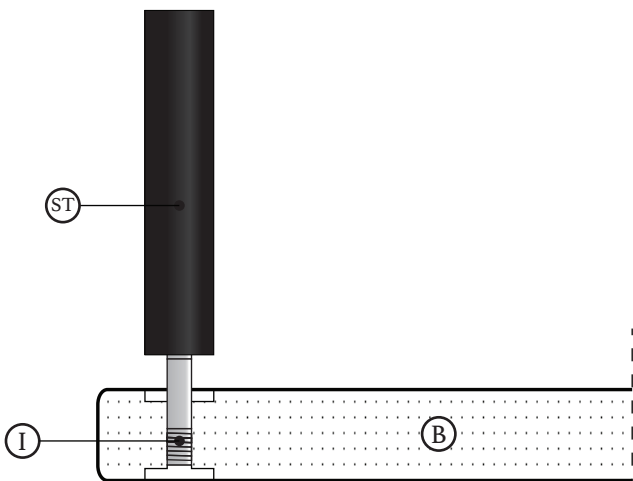
S3-4 SERIES

INSTALLATION

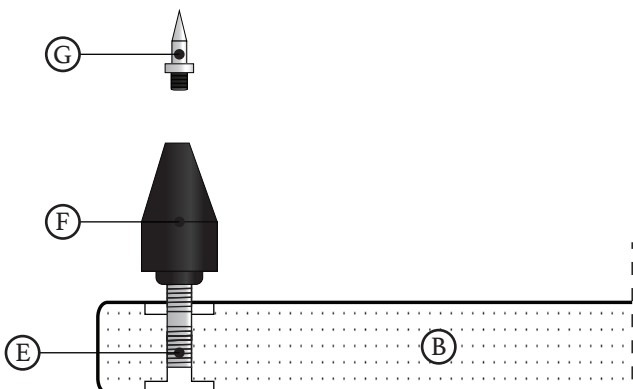
STEP 1



STEP 2



STEP 3



BEFORE STARTING: CONSIDER TO ASSEMBLE ALL THE HARDWARE PARTS UPSIDE DOWN FOR EACH SHELF TO EASY UP THE INSTALLATION. PREPARE A SAFE SURFACE FOR THE OPERATIONS.

Dear Music Lover,

thank you for purchasing one of our S2 Series racks. This product is specifically designed to valorize the enjoyability of your audio experiences and by following this short manual we will guide you through the safe product installation.

Important Recommendations:

- Before the assembly secure an installation zone and keep children, animals and third parts away from all the materials included into the package;
- Some steel parts, if handled without attention, could also be sharp;
- The product can be assembled by a single person but any secondary assistance could be helpful;
- The rack is made by dangerous spikes and hardware parts, so be extremely careful while assembling it. We decline any responsibility for any accidental damage to people, animals or objects;
- Before of assembling the product, find the proper place in which it will be placed. Sliding the product on the floor, during and after its installation, is always dangerous, so never do it;
- During the assembly always grab the shelves and not the hardware parts on them. This is the safest way for handling the product;
- For cleaning the shelves we simply suggest the use of a damp cloth;
- To avoid undesired issues never strike the structure, never give strong shakes and not use the product as if it was a chair;
- The product is only designed to support audio-video components;
- All the shelves are made of painted MDF wood, so gently move the components on them during the installation of your system.

Solidsteel MC Group S.r.l.

Strada Lungofino, 25 - Centro Ibisco

Blocco B1 65013 - Città Sant'Angelo (PE)

ITALY

E-mail: info@solidsteel.it

Website: www.solidsteel.it

solidsteel

Made in Italy since 1990

S3-5 SERIES

ALL THE PARTS

Dear Music Lover,

you just purchased one of our Hi-Fi racks designed to support your listenings.

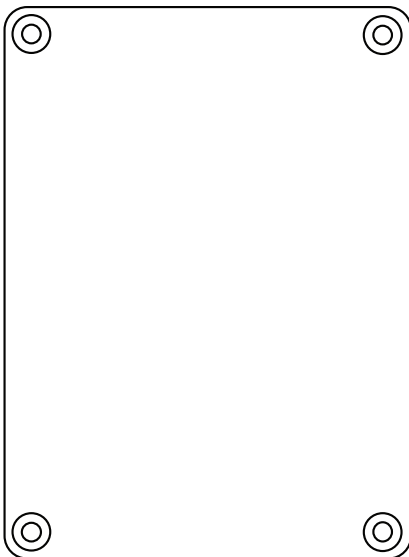
We recommends to assemble the product paying always attention to the floor surface to avoid scratches. After assembly is completed, do not forget to regulate the bottom spikes. To clean the shelves just use a damp cloth. The metal poles need to be well locked on the shelves. Face shelf can support a maximum weight of 110 Kg (240 lb).

The hardware parts are made to be well locked during the assembly process.

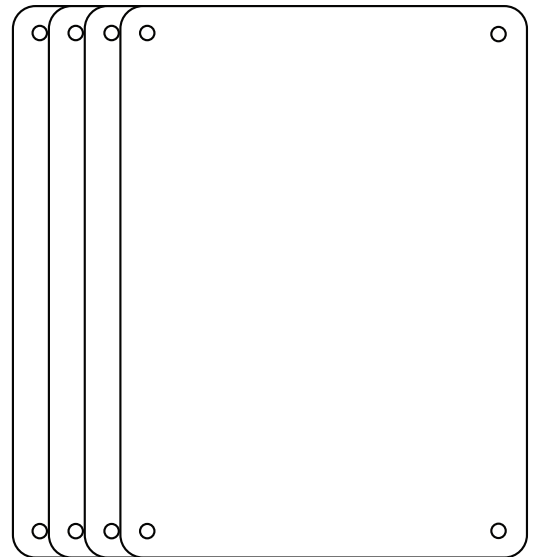
Always keep children away from the edges.

Thank you, we wish you all the best!

(A) Top Shelf



(B) Inner/Bottom Shelf



(D) Top Covers



(E) Screws for The Top Shelf

37 mm (1.45 in)



(F) Bottom Floor Standing Hardware



(G) Adjustable Spikes & M8 Nut



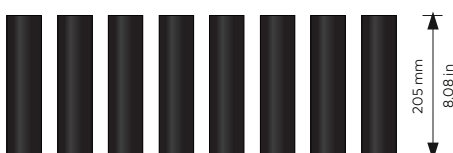
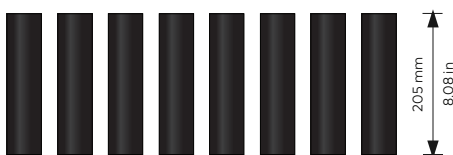
(K) Connection Discs in ABS



(H) Protective Inox Floor Discs

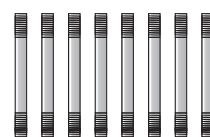


(ST) Aluminium Poles



(I) Screws for The Inner Shelf

60 mm (2.60 in)



(L) Screws for The Bottom Shelf

50 mm (1.97 in)



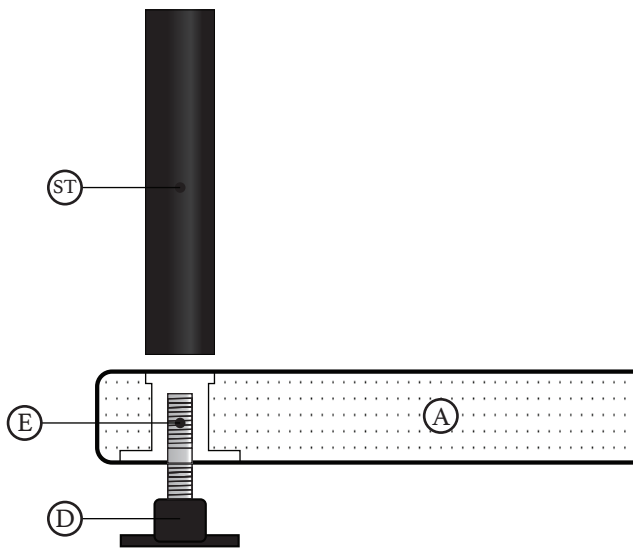
solidsteel

Made in Italy since 1990

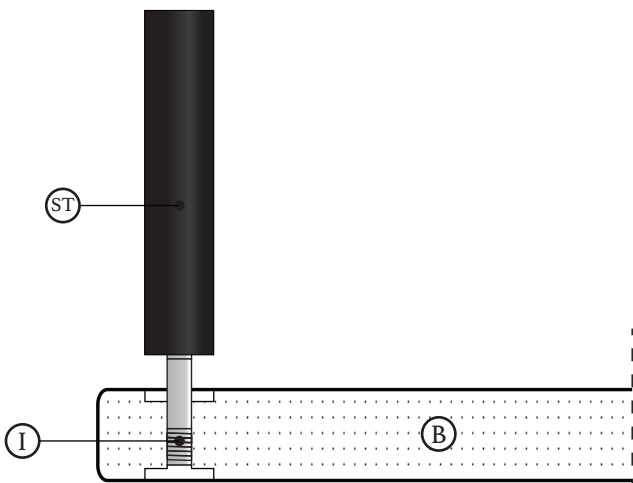
S3-5 SERIES

INSTALLATION

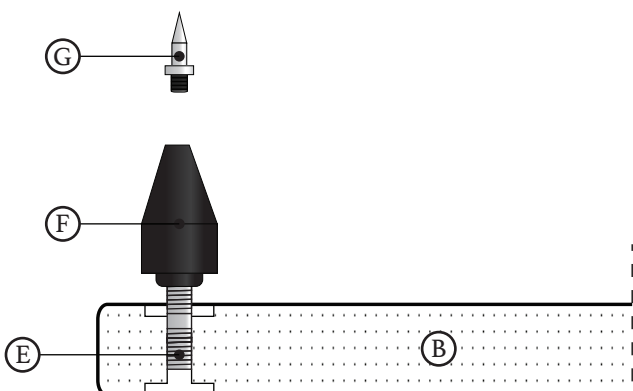
STEP 1



STEP 2



STEP 3



BEFORE STARTING: CONSIDER TO ASSEMBLE ALL THE HARDWARE PARTS UPSIDE DOWN FOR EACH SHELF TO EASY UP THE INSTALLATION. PREPARE A SAFE SURFACE FOR THE OPERATIONS.

Dear Music Lover,

thank you for purchasing one of our S2 Series racks. This product is specifically designed to valorize the enjoyability of your audio experiences and by following this short manual we will guide you through the safe product installation.

Important Recommendations:

- Before the assembly secure an installation zone and keep children, animals and third parts away from all the materials included into the package;
- Some steel parts, if handled without attention, could also be sharp;
- The product can be assembled by a single person but any secondary assistance could be helpful;
- The rack is made by dangerous spikes and hardware parts, so be extremely careful while assembling it. We decline any responsibility for any accidental damage to people, animals or objects;
- Before of assembling the product, find the proper place in which it will be placed. Sliding the product on the floor, during and after its installation, is always dangerous, so never do it;
- During the assembly always grab the shelves and not the hardware parts on them. This is the safest way for handling the product;
- For cleaning the shelves we simply suggest the use of a damp cloth;
- To avoid undesired issues never strike the structure, never give strong shakes and not use the product as if it was a chair;
- The product is only designed to support audio-video components;
- All the shelves are made of painted MDF wood, so gently move the components on them during the installation of your system.

Solidsteel MC Group S.r.l.

Strada Lungofino, 25 - Centro Ibisco

Blocco B1 65013 - Città Sant'Angelo (PE)

ITALY

E-mail: info@solidsteel.it

Website: www.solidsteel.it

solidsteel

Made in Italy since 1990

S4-2 SERIES

ALL THE PARTS

Dear Music Lover,

you just purchased one of our Hi-Fi racks designed to support your listenings.

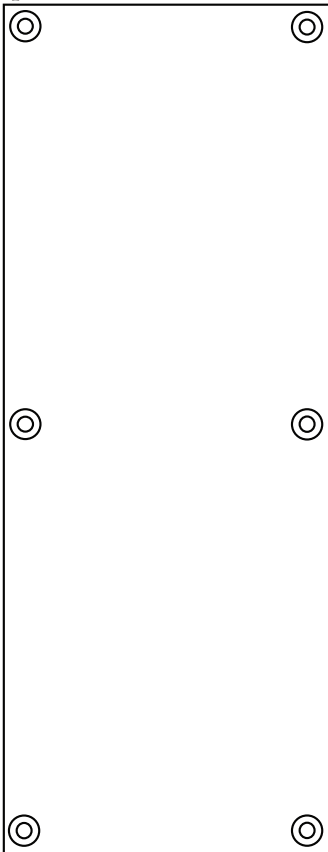
We recommends to assemble the product paying always attention to the floor surface to avoid scratches. After assembly is completed, do not forget to regulate the bottom spikes. To clean the shelves just use a damp cloth. The metal poles need to be well locked on the shelves. Face shelf can support a maximum weight of 110 Kg (240 lb).

The hardware parts are made to be well locked during the assembly process.

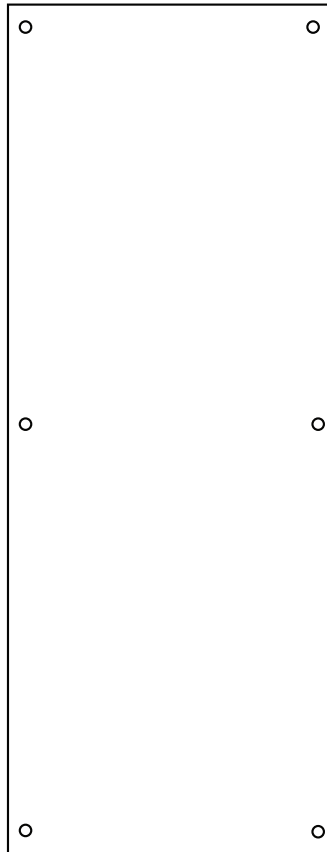
Always keep children away from the edges.

Thank you, we wish you all the best!

(A) Top Shelf



(B) Bottom Shelf



(D) Top Covers



(E) Screws for The Top Shelf

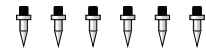
37 mm
1.45 in



(F) Bottom Floor Standing Hardware



(G) Adjustable Spikes & M8 Nut



(H) Protective Inox Floor Discs



(I) Screws for The Bottom Shelf

50 mm
1.97 in



(K) Connection Discs in ABS



(ST) Aluminium Poles



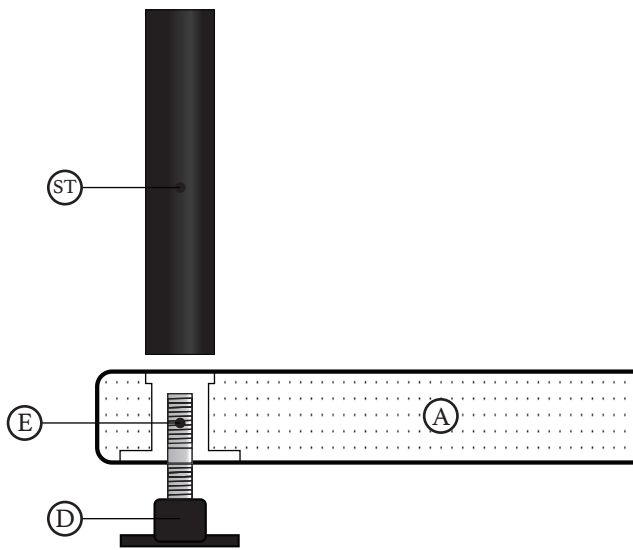
solidsteel

Made in Italy since 1990

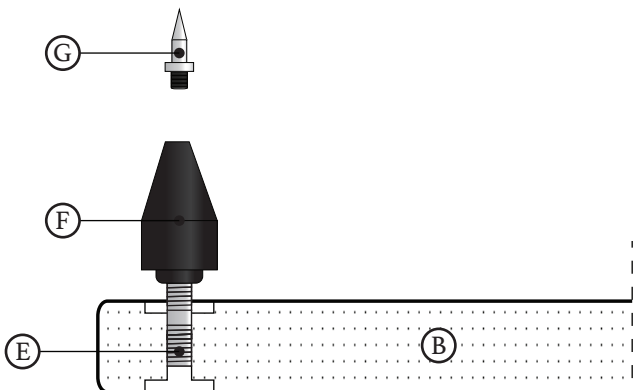
S4-2 SERIES

INSTALLATION

STEP 1



STEP 2



BEFORE STARTING: CONSIDER TO ASSEMBLE ALL THE HARDWARE PARTS UPSIDE DOWN FOR EACH SHELF TO EASY UP THE INSTALLATION. PREPARE A SAFE SURFACE FOR THE OPERATIONS.

Dear Music Lover,

thank you for purchasing one of our S2 Series racks. This product is specifically designed to valorize the enjoyability of your audio experiences and by following this short manual we will guide you through the safe product installation.

Important Recommendations:

- Before the assembly secure an installation zone and keep children, animals and third parts away from all the materials included into the package;
- Some steel parts, if handled without attention, could also be sharp;
- The product can be assembled by a single person but any secondary assistance could be helpful;
- The rack is made by dangerous spikes and hardware parts, so be extremely careful while assembling it. We decline any responsibility for any accidental damage to people, animals or objects;
- Before of assembling the product, find the proper place in which it will be placed. Sliding the product on the floor, during and after its installation, is always dangerous, so never do it;
- During the assembly always grab the shelves and not the hardware parts on them. This is the safest way for handling the product;
- For cleaning the shelves we simply suggest the use of a damp cloth;
- To avoid undesired issues never strike the structure, never give strong shakes and not use the product as if it was a chair;
- The product is only designed to support audio-video components;
- All the shelves are made of painted MDF wood, so gently move the components on them during the installation of your system.

Solidsteel MC Group S.r.l.

Strada Lungofino, 25 - Centro Ibisco

Blocco BI 65013 - Città Sant'Angelo (PE)

ITALY

E-mail: info@solidsteel.it

Website: www.solidsteel.it

solidsteel

Made in Italy since 1990

S4-3 SERIES

ALL THE PARTS

Dear Music Lover,

you just purchased one of our Hi-Fi racks designed to support your listenings.

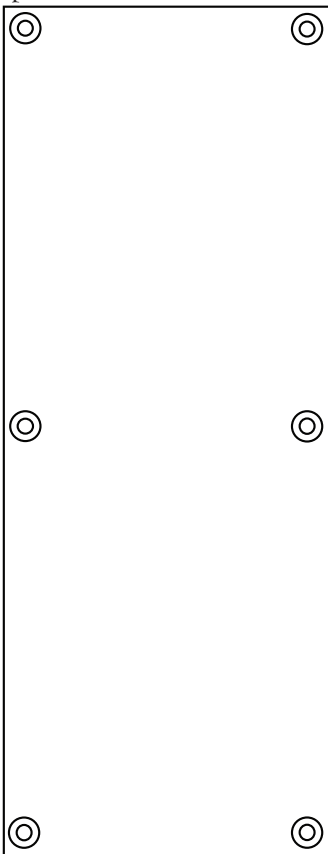
We recommends to assemble the product paying always attention to the floor surface to avoid scratches. After assembly is completed, do not forget to regulate the bottom spikes. To clean the shelves just use a damp cloth. The metal poles need to be well locked on the shelves. Face shelf can support a maximum weight of 110 Kg (240 lb).

The hardware parts are made to be well locked during the assembly process.

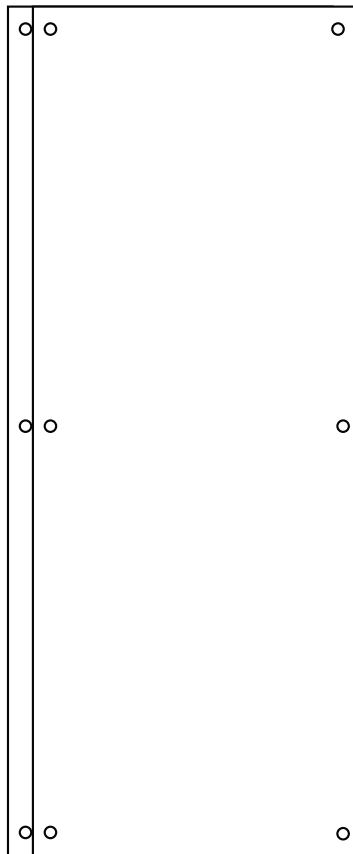
Always keep children away from the edges.

Thank you, we wish you all the best!

(A) Top Shelf



(B) Inner/Bottom Shelf



(D) Top Covers



(E) Screws for The Top Shelf

37 mm
1.45 in



(F) Bottom Floor Standing Hardware



(G) Adjustable Spikes & M8 Nut

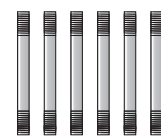


(H) Protective Inox Floor Discs



(I) Screws for The Inner Shelf

60 mm
2.60 in



(L) Screws for The Bottom Shelf

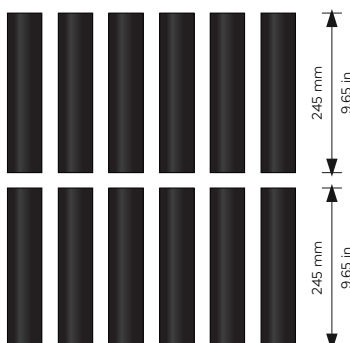
50 mm
1.97 in



(K) Connection Discs in ABS



(ST) Aluminium Poles



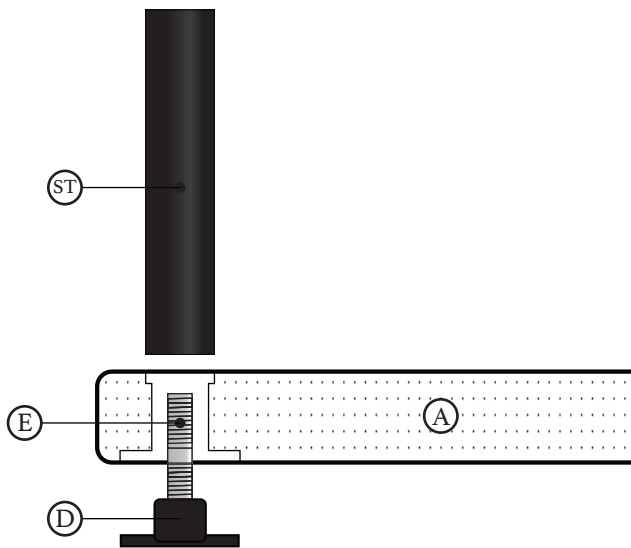
solidsteel

Made in Italy since 1990

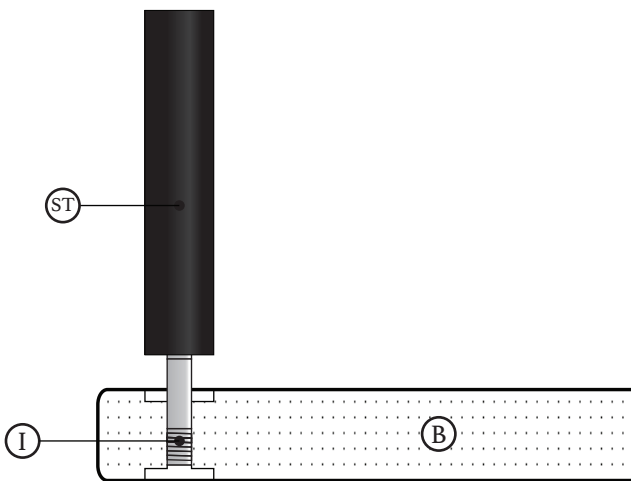
S4-3 SERIES

INSTALLATION

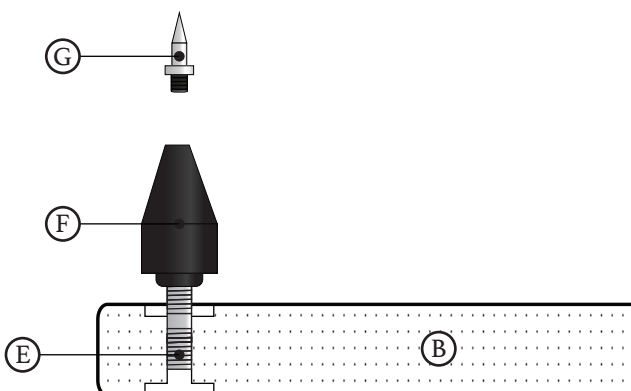
STEP 1



STEP 2



STEP 3



BEFORE STARTING: CONSIDER TO ASSEMBLE ALL THE HARDWARE PARTS UPSIDE DOWN FOR EACH SHELF TO EASY UP THE INSTALLATION. PREPARE A SAFE SURFACE FOR THE OPERATIONS.

Dear Music Lover,

thank you for purchasing one of our S2 Series racks. This product is specifically designed to valorize the enjoyability of your audio experiences and by following this short manual we will guide you through the safe product installation.

Important Recommendations:

- Before the assembly secure an installation zone and keep children, animals and third parts away from all the materials included into the package;
- Some steel parts, if handled without attention, could also be sharp;
- The product can be assembled by a single person but any secondary assistance could be helpful;
- The rack is made by dangerous spikes and hardware parts, so be extremely careful while assembling it. We decline any responsibility for any accidental damage to people, animals or objects;
- Before of assembling the product, find the proper place in which it will be placed. Sliding the product on the floor, during and after its installation, is always dangerous, so never do it;
- During the assembly always grab the shelves and not the hardware parts on them. This is the safest way for handling the product;
- For cleaning the shelves we simply suggest the use of a damp cloth;
- To avoid undesired issues never strike the structure, never give strong shakes and not use the product as if it was a chair;
- The product is only designed to support audio-video components;
- All the shelves are made of painted MDF wood, so gently move the components on them during the installation of your system.

Solidsteel MC Group S.r.l.

Strada Lungofino, 25 - Centro Ibisco

Blocco B1 65013 - Città Sant'Angelo (PE)

ITALY

E-mail: info@solidsteel.it

Website: www.solidsteel.it

solidsteel

Made in Italy since 1990

S4-4 SERIES

ALL THE PARTS

Dear Music Lover,

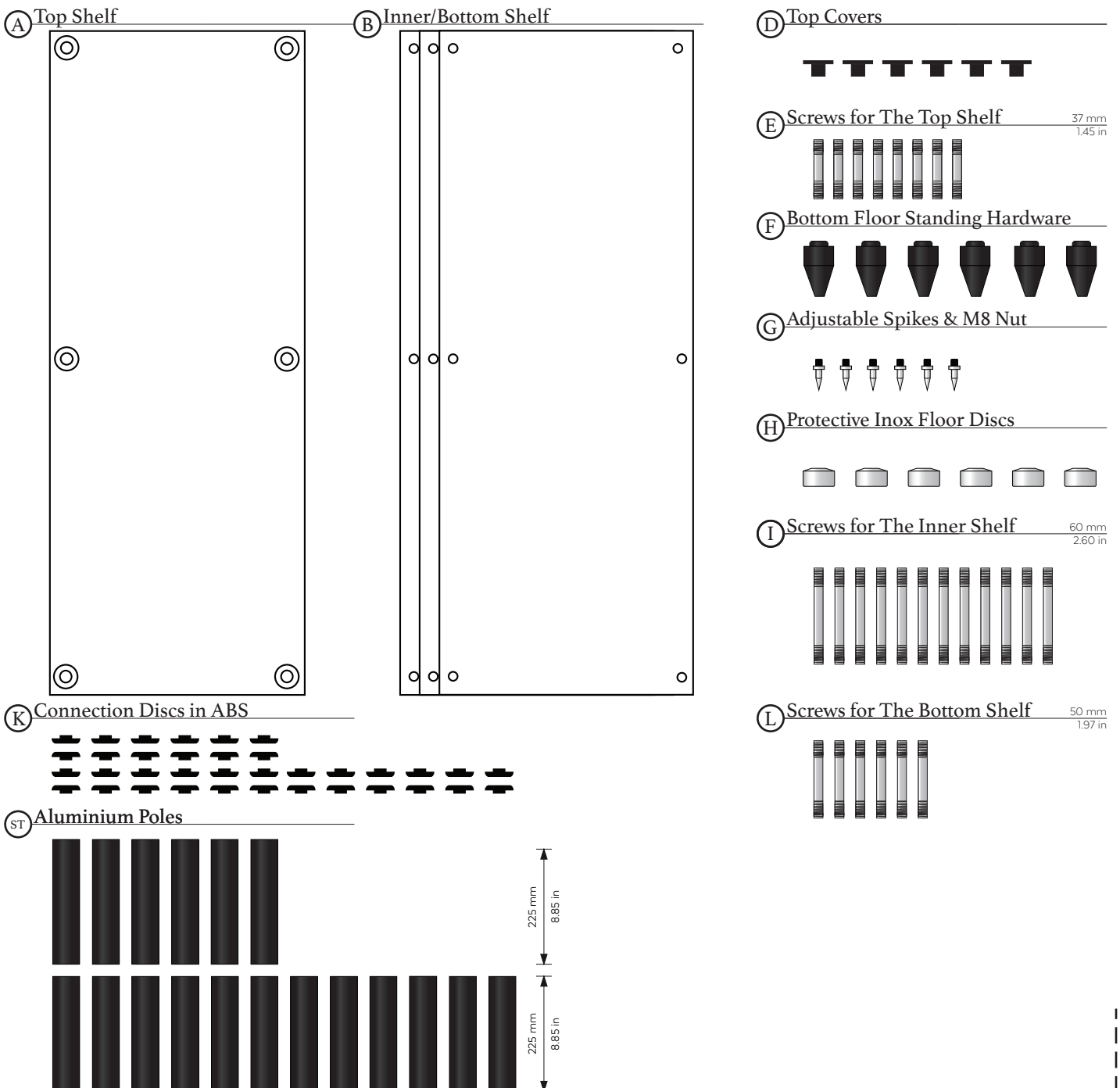
you just purchased one of our Hi-Fi racks designed to support your listenings.

We recommends to assemble the product paying always attention to the floor surface to avoid scratches. After assembly is completed, do not forget to regulate the bottom spikes. To clean the shelves just use a damp cloth. The metal poles need to be well locked on the shelves. Face shelf can support a maximum weight of 110 Kg (240 lb).

The hardware parts are made to be well locked during the assembly process.

Always keep children away from the edges.

Thank you, we wish you all the best!



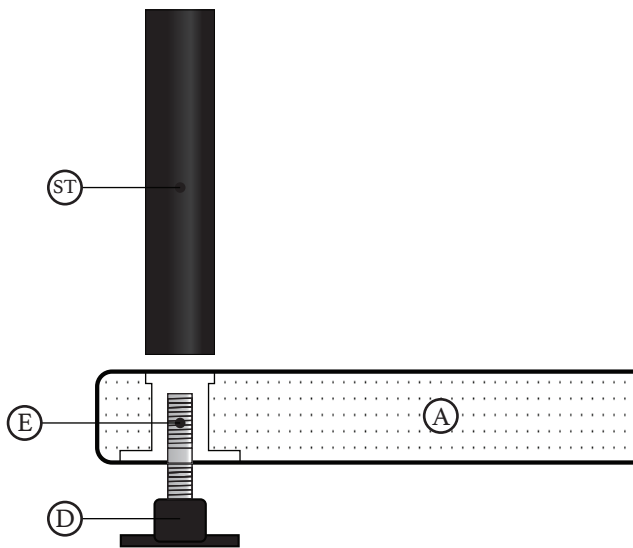
solidsteel

Made in Italy since 1990

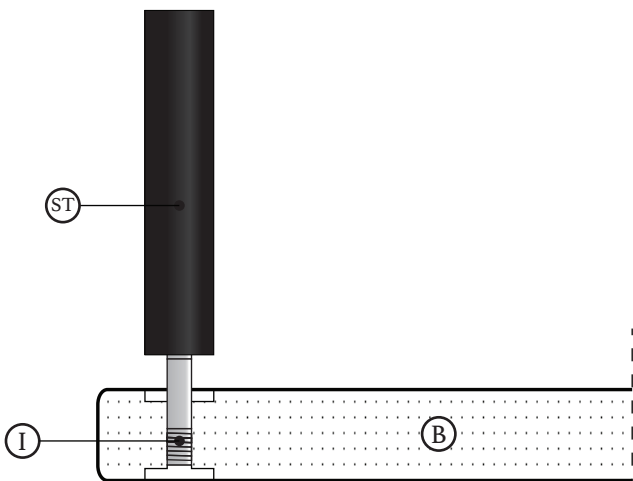
S4-4 SERIES

INSTALLATION

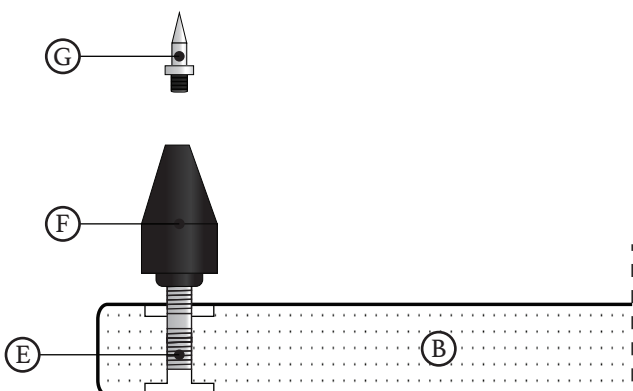
STEP 1



STEP 2



STEP 3



BEFORE STARTING: CONSIDER TO ASSEMBLE ALL THE HARDWARE PARTS UPSIDE DOWN FOR EACH SHELF TO EASY UP THE INSTALLATION. PREPARE A SAFE SURFACE FOR THE OPERATIONS.

Dear Music Lover,

thank you for purchasing one of our S2 Series racks. This product is specifically designed to valorize the enjoyability of your audio experiences and by following this short manual we will guide you through the safe product installation.

Important Recommendations:

- Before the assembly secure an installation zone and keep children, animals and third parts away from all the materials included into the package;
- Some steel parts, if handled without attention, could also be sharp;
- The product can be assembled by a single person but any secondary assistance could be helpful;
- The rack is made by dangerous spikes and hardware parts, so be extremely careful while assembling it. We decline any responsibility for any accidental damage to people, animals or objects;
- Before of assembling the product, find the proper place in which it will be placed. Sliding the product on the floor, during and after its installation, is always dangerous, so never do it;
- During the assembly always grab the shelves and not the hardware parts on them. This is the safest way for handling the product;
- For cleaning the shelves we simply suggest the use of a damp cloth;
- To avoid undesired issues never strike the structure, never give strong shakes and not use the product as if it was a chair;
- The product is only designed to support audio-video components;
- All the shelves are made of painted MDF wood, so gently move the components on them during the installation of your system.

Solidsteel MC Group S.r.l.

Strada Lungofino, 25 - Centro Ibisco
Blocco B1 65013 - Città Sant'Angelo (PE)
ITALY

E-mail: info@solidsteel.it

Website: www.solidsteel.it

solidsteel

Made in Italy since 1990

S5-2 SERIES

ALL THE PARTS

Dear Music Lover,

you just purchased one of our Hi-Fi racks designed to support your listenings.

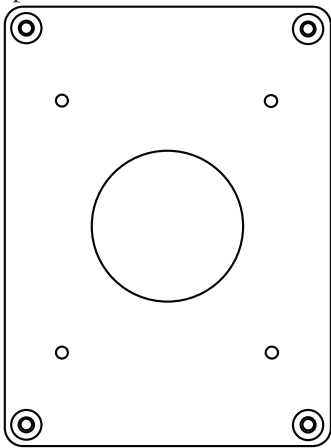
We recommends to assemble the product paying always attention to the floor surface to avoid scratches. After assembly is completed, do not forget to regulate the bottom spikes. To clean the shelves just use a damp cloth. The metal poles need to be well locked on the shelves. Face shelf can support a maximum weight of 110 Kg (240 lb).

The hardware parts are made to be well locked during the assembly process.

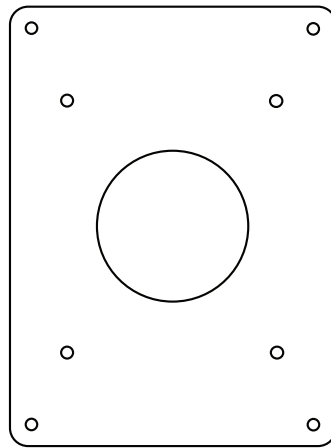
Always keep children away from the edges.

Thank you, we wish you all the best!

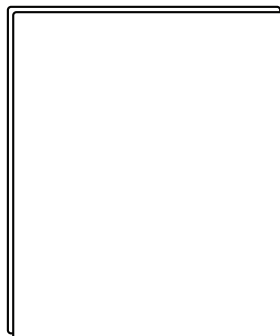
(A) Top Shelf



(B) Bottom Shelf



(C) X Plate



(K) Connection Discs in ABS



(ST) Aluminium Poles



(D) Top Covers



(E) Screws for The Top Shelf

37 mm
1.45 in



(F) Bottom Floor Standing Hardware



(G) Adjustable Spikes & M8 Nut



(I) Protective Inox Floor Discs



(L) Screws for The Bottom Shelf

50 mm
1.97 in



(M) Aluminium Cones



(N) Allen Key



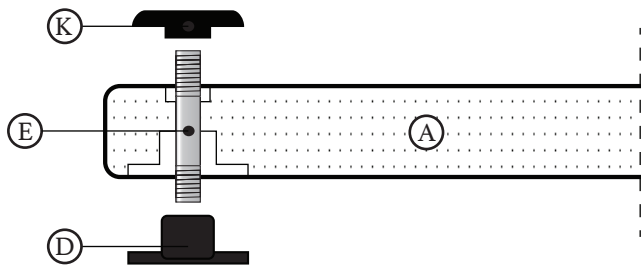
solidsteel

Made in Italy since 1990

S5-2 SERIES

INSTALLATION

STEP 1



BEFORE STARTING: CONSIDER TO ASSEMBLE ALL THE HARDWARE PARTS UPSIDE DOWN FOR EACH SHELF TO EASY UP THE INSTALLATION. PREPARE A SAFE SURFACE FOR THE OPERATIONS.

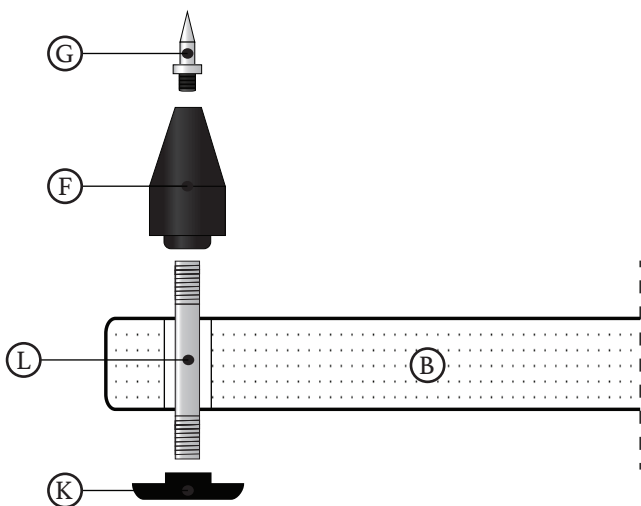
Dear Music Lover,

thank you for purchasing one of our S5 Series racks. This product is specifically designed to valorize the enjoyability of your audio experiences and by following this short manual we will guide you through the safe product installation.

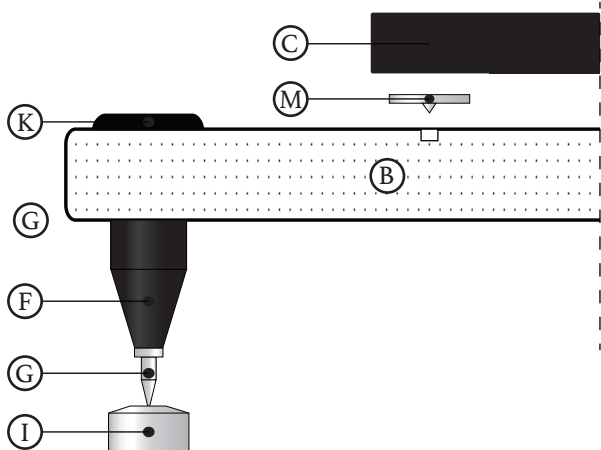
Important Recommendations:

- Before the assembly secure an installation zone and keep children, animals and third parts away from all the materials included into the package;
- Some steel parts, if handled without attention, could also be sharp;
- The product can be assembled by a single person but any secondary assistance could be helpful;
- The rack is made by dangerous spikes and hardware parts, so be extremely careful while assembling it. We decline any responsibility for any accidental damage to people, animals or objects;
- Before of assembling the product, find the proper place in which it will be placed. Sliding the product on the floor, during and after its installation, is always dangerous, so never do it;
- During the assembly always grab the shelves and not the hardware parts on them. This is the safest way for handling the product;
- For cleaning the shelves we simply suggest the use of a damp cloth;
- To avoid undesired issues never strike the structure, never give strong shakes and not use the product as if it was a chair;
- The product is only designed to support audio-video components;
- All the shelves are made of painted MDF wood, so gently move the components on them during the installation of your system.

STEP 2



STEP 3 - NOT UPSIDE DOWN!



Solidsteel MC Group S.r.l.

Strada Lungofino, 25 - Centro Ibisco
Blocco B1 65013 - Città Sant'Angelo (PE)
ITALY
E-mail: info@solidsteel.it
Website: www.solidsteel.it

solidsteel

Made in Italy since 1990

S5-3 SERIES

ALL THE PARTS

Dear Music Lover,

you just purchased one of our Hi-Fi racks designed to support your listenings.

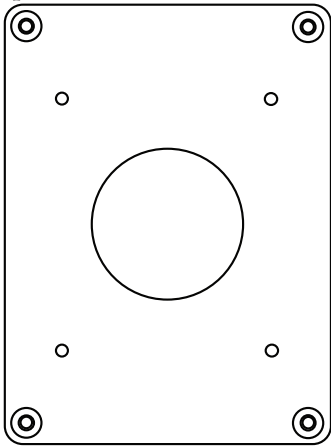
We recommends to assemble the product paying always attention to the floor surface to avoid scratches. After assembly is completed, do not forget to regulate the bottom spikes. To clean the shelves just use a damp cloth. The metal poles need to be well locked on the shelves. Face shelf can support a maximum weight of 110 Kg (240 lb).

The hardware parts are made to be well locked during the assembly process.

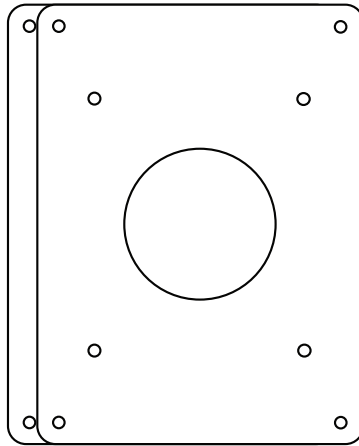
Always keep children away from the edges.

Thank you, we wish you all the best!

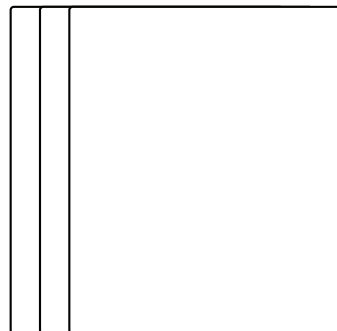
(A) Top Shelf



(B) Bottom Shelf



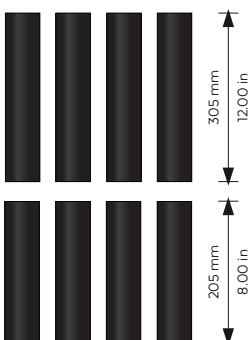
(C) X Plate



(K) Connection Discs in ABS



(ST) Aluminium Poles



(D) Top Covers



(E) Screws for The Top Shelf

37 mm
1.45 in



(F) Bottom Floor Standing Hardware



(G) Adjustable Spikes & M8 Nut

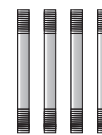


(H) Protective Inox Floor Discs



(I) Screws for The Inner Shelf

60 mm
2.60 in



(L) Screws for The Bottom Shelf

50 mm
1.97 in



(M) Aluminium Cones



(N) Allen Key



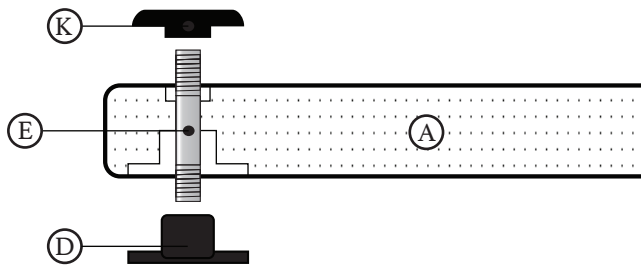
solidsteel

Made in Italy since 1990

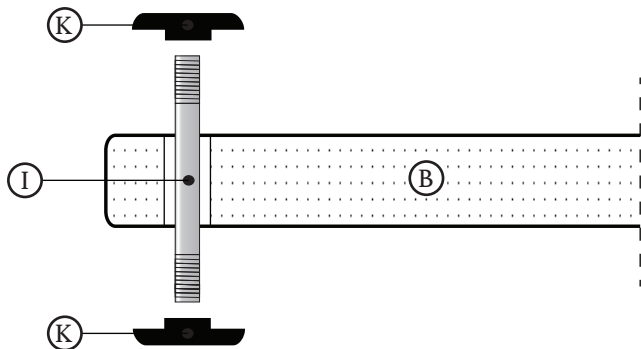
S5-3 SERIES

INSTALLATION

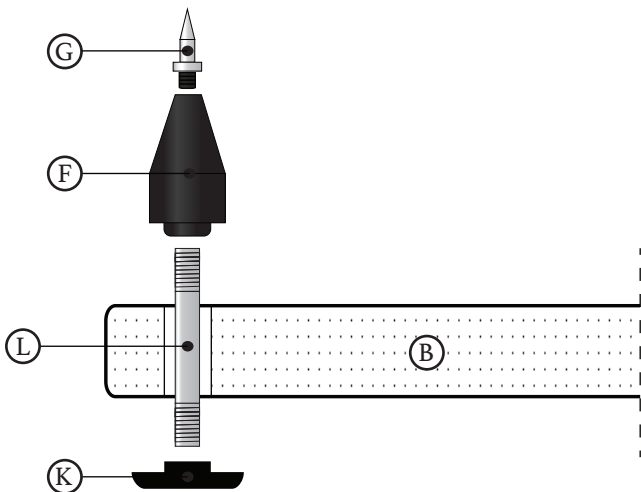
STEP 1



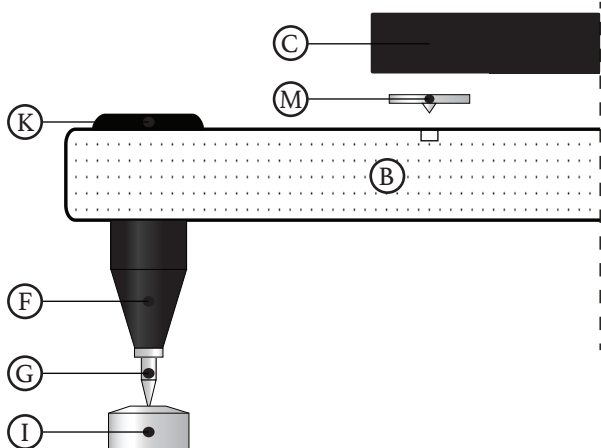
STEP 2



STEP 3



STEP 4 - NOT UPSIDE DOWN!



BEFORE STARTING: CONSIDER TO ASSEMBLE ALL THE HARDWARE PARTS UPSIDE DOWN FOR EACH SHELF TO EASY UP THE INSTALLATION. PREPARE A SAFE SURFACE FOR THE OPERATIONS.

Dear Music Lover,

thank you for purchasing one of our S5 Series racks. This product is specifically designed to valorize the enjoyability of your audio experiences and by following this short manual we will guide you through the safe product installation.

Important Recommendations:

- Before the assembly secure an installation zone and keep children, animals and third parts away from all the materials included into the package;
- Some steel parts, if handled without attention, could also be sharp;
- The product can be assembled by a single person but any secondary assistance could be helpful;
- The rack is made by dangerous spikes and hardware parts, so be extremely careful while assembling it. We decline any responsibility for any accidental damage to people, animals or objects;
- Before of assembling the product, find the proper place in which it will be placed. Sliding the product on the floor, during and after its installation, is always dangerous, so never do it;
- During the assembly always grab the shelves and not the hardware parts on them. This is the safest way for handling the product;
- For cleaning the shelves we simply suggest the use of a damp cloth;
- To avoid undesired issues never strike the structure, never give strong shakes and not use the product as if it was a chair;
- The product is only designed to support audio-video components;
- All the shelves are made of painted MDF wood, so gently move the components on them during the installation of your system.

Solidsteel MC Group S.r.l.

Strada Lungofino, 25 - Centro Ibisco
Blocco B1 65013 - Città Sant'Angelo (PE)

ITALY

E-mail: info@solidsteel.it

Website: www.solidsteel.it PAGE 37

solidsteel

Made in Italy since 1990

S5-4 SERIES

ALL THE PARTS

Dear Music Lover,

you just purchased one of our Hi-Fi racks designed to support your listenings.

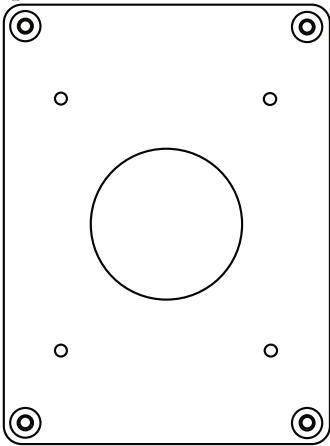
We recommends to assemble the product paying always attention to the floor surface to avoid scratches. After assembly is completed, do not forget to regulate the bottom spikes. To clean the shelves just use a damp cloth. The metal poles need to be well locked on the shelves. Face shelf can support a maximum weight of 110 Kg (240 lb).

The hardware parts are made to be well locked during the assembly process.

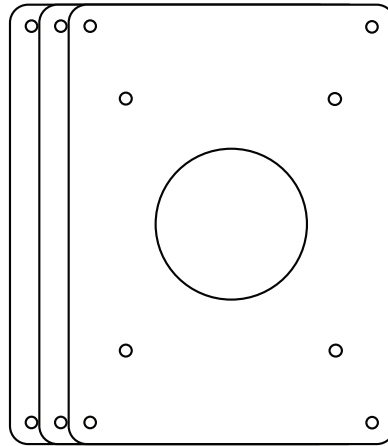
Always keep children away from the edges.

Thank you, we wish you all the best!

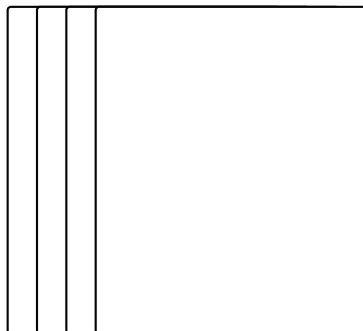
(A) Top Shelf



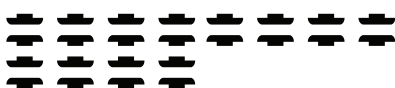
(B) Bottom Shelf



(C) X Plate



(K) Connection Discs in ABS



(ST) Aluminium Poles



(D) Top Covers



(E) Screws for The Top Shelf

37 mm
1.45 in



(F) Bottom Floor Standing Hardware



(G) Adjustable Spikes & M8 Nut

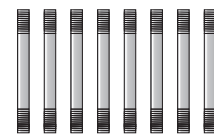


(H) Protective Inox Floor Discs



(I) Screws for The Inner Shelf

60 mm
2.60 in



(L) Screws for The Bottom Shelf

50 mm
1.97 in



(M) Aluminium Cones



(N) Allen Key



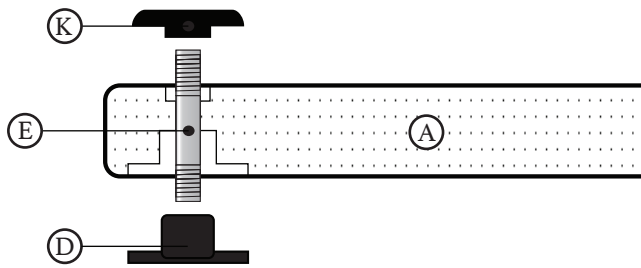
solidsteel

Made in Italy since 1990

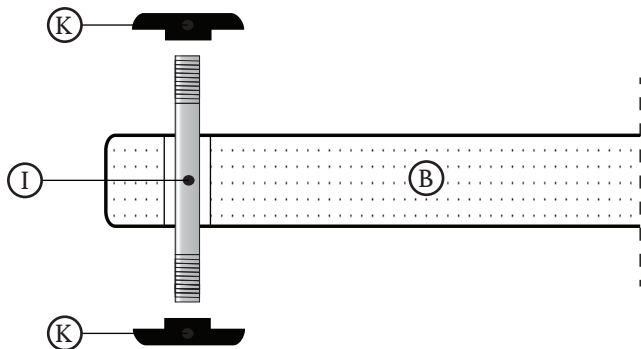
S5-4 SERIES

INSTALLATION

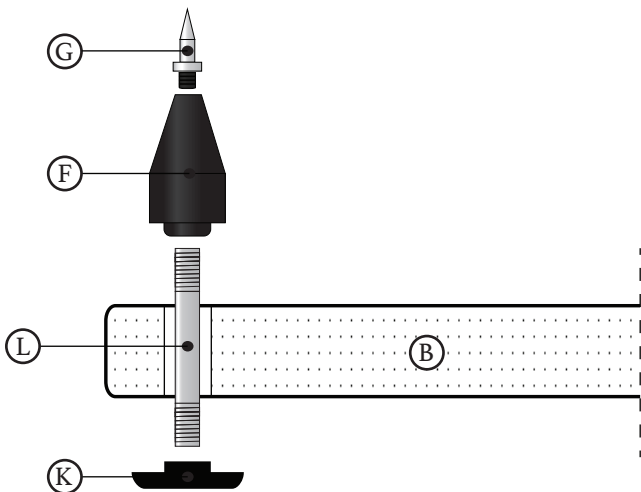
STEP 1



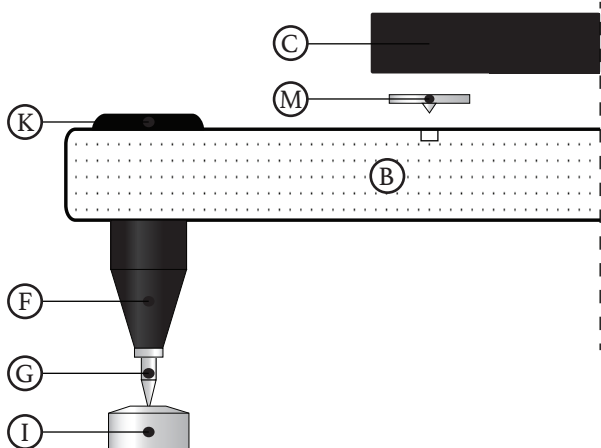
STEP 2



STEP 3



STEP 4 - NOT UPSIDE DOWN!



BEFORE STARTING: CONSIDER TO ASSEMBLE ALL THE HARDWARE PARTS UPSIDE DOWN FOR EACH SHELF TO EASY UP THE INSTALLATION. PREPARE A SAFE SURFACE FOR THE OPERATIONS.

Dear Music Lover,

thank you for purchasing one of our S5 Series racks. This product is specifically designed to valorize the enjoyability of your audio experiences and by following this short manual we will guide you through the safe product installation.

Important Recommendations:

- Before the assembly secure an installation zone and keep children, animals and third parts away from all the materials included into the package;
- Some steel parts, if handled without attention, could also be sharp;
- The product can be assembled by a single person but any secondary assistance could be helpful;
- The rack is made by dangerous spikes and hardware parts, so be extremely careful while assembling it. We decline any responsibility for any accidental damage to people, animals or objects;
- Before of assembling the product, find the proper place in which it will be placed. Sliding the product on the floor, during and after its installation, is always dangerous, so never do it;
- During the assembly always grab the shelves and not the hardware parts on them. This is the safest way for handling the product;
- For cleaning the shelves we simply suggest the use of a damp cloth;
- To avoid undesired issues never strike the structure, never give strong shakes and not use the product as if it was a chair;
- The product is only designed to support audio-video components;
- All the shelves are made of painted MDF wood, so gently move the components on them during the installation of your system.

Solidsteel MC Group S.r.l.

Strada Lungofino, 25 - Centro Ibisco
Blocco B1 65013 - Città Sant'Angelo (PE)
ITALY

E-mail: info@solidsteel.it

Website: www.solidsteel.it

solidsteel

Made in Italy since 1990

S5-5 SERIES

ALL THE PARTS

Dear Music Lover,

you just purchased one of our Hi-Fi racks designed to support your listenings.

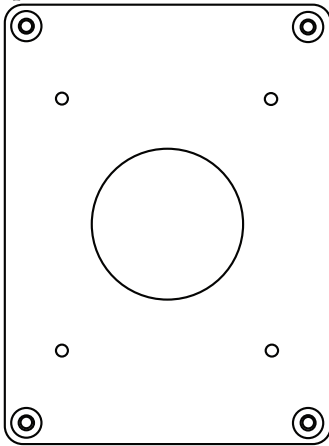
We recommends to assemble the product paying always attention to the floor surface to avoid scratches. After assembly is completed, do not forget to regulate the bottom spikes. To clean the shelves just use a damp cloth. The metal poles need to be well locked on the shelves. Face shelf can support a maximum weight of 110 Kg (240 lb).

The hardware parts are made to be well locked during the assembly process.

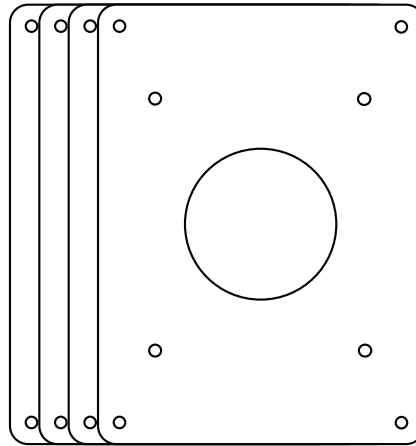
Always keep children away from the edges.

Thank you, we wish you all the best!

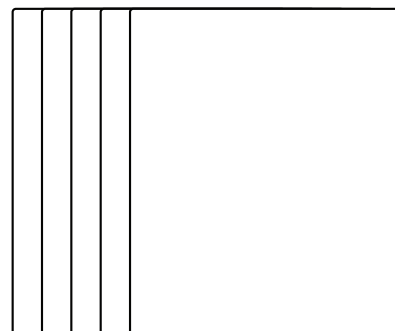
(A) Top Shelf



(B) Bottom Shelf



(C) X Plate



(K) Connection Discs in ABS



(ST) Aluminium Poles



(D) Top Covers



(E) Screws for The Top Shelf

37 mm
1.45 in



(F) Bottom Floor Standing Hardware



(G) Adjustable Spikes & M8 Nut

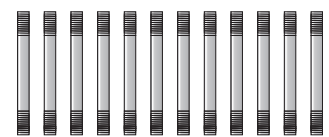


(H) Protective Inox Floor Discs



(I) Screws for The Inner Shelf

60 mm
2.60 in

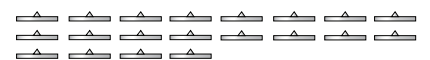


(L) Screws for The Bottom Shelf

50 mm
1.97 in



(M) Aluminium Cones



(N) Allen Key



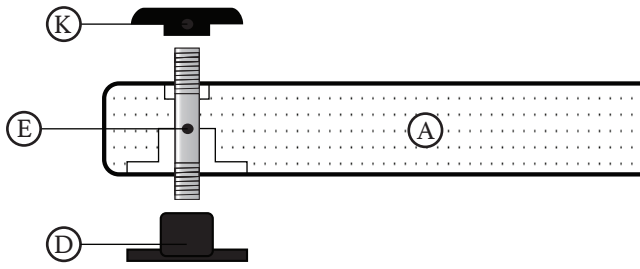
solidsteel

Made in Italy since 1990

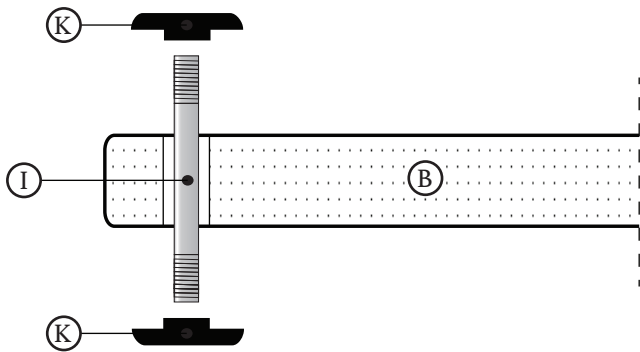
S5-5 SERIES

INSTALLATION

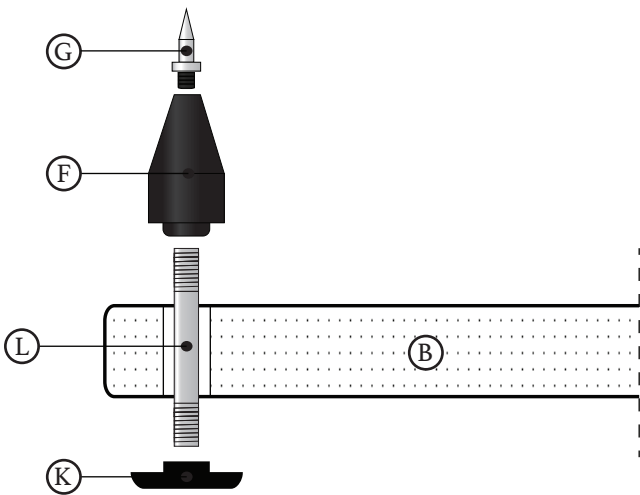
STEP 1



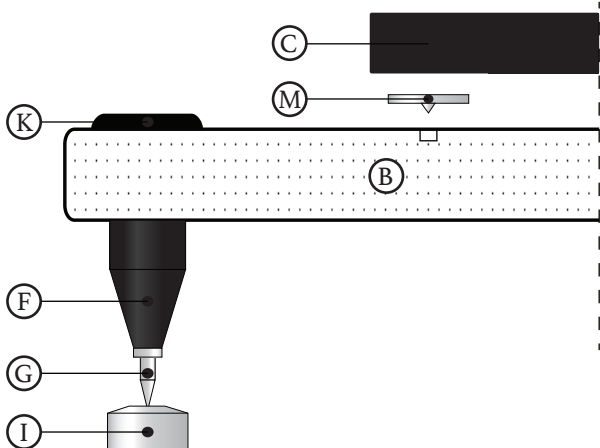
STEP 2



STEP 3



STEP 4 - NOT UPSIDE DOWN!



BEFORE STARTING: CONSIDER TO ASSEMBLE ALL THE HARDWARE PARTS UPSIDE DOWN FOR EACH SHELF TO EASY UP THE INSTALLATION. PREPARE A SAFE SURFACE FOR THE OPERATIONS.

Dear Music Lover,

thank you for purchasing one of our S5 Series racks. This product is specifically designed to valorize the enjoyability of your audio experiences and by following this short manual we will guide you through the safe product installation.

Important Recommendations:

- Before the assembly secure an installation zone and keep children, animals and third parts away from all the materials included into the package;
- Some steel parts, if handled without attention, could also be sharp;
- The product can be assembled by a single person but any secondary assistance could be helpful;
- The rack is made by dangerous spikes and hardware parts, so be extremely careful while assembling it. We decline any responsibility for any accidental damage to people, animals or objects;
- Before of assembling the product, find the proper place in which it will be placed. Sliding the product on the floor, during and after its installation, is always dangerous, so never do it;
- During the assembly always grab the shelves and not the hardware parts on them. This is the safest way for handling the product;
- For cleaning the shelves we simply suggest the use of a damp cloth;
- To avoid undesired issues never strike the structure, never give strong shakes and not use the product as if it was a chair;
- The product is only designed to support audio-video components;
- All the shelves are made of painted MDF wood, so gently move the components on them during the installation of your system.

Solidsteel MC Group S.r.l.

Strada Lungofino, 25 - Centro Ibisco
Blocco B1 65013 - Città Sant'Angelo (PE)
ITALY

E-mail: info@solidsteel.it

Website: www.solidsteel.it

solidsteel

Made in Italy since 1990

NS-4 SERIES

SCALE 1:5

Dear Music Lover,

you just purchased one of our Hi-Fi speaker stands designed to support your listenings. We recommends to assemble the product paying always attention to the floor surface to avoid scratches. After assembly is completed, do not forget to regulate the bottom spikes. To clean the shelves just use a damp cloth. The metal poles need to be well locked on the shelves. Face shelf can support a maximum weight of 10 Kg (20 lb).

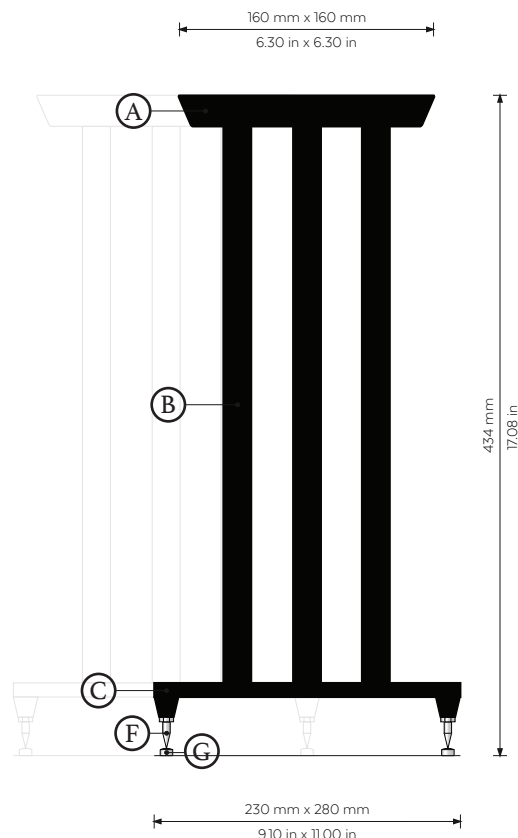
The hardware parts are made to be well locked during the assembly process.

Always keep children away from the edges.

Thank you, we wish you all the best!

Package Content:

- A) Top Shelf, x2
- B) Aluminium Poles, x10
- C) Bottom Shelf, x2
- D) Screws, x20
- E) Patafix, x10
- F) Adjustable Spikes & M6 Nut, x8
- G) Protective Inox Floor Mini-Discs, x8



solidsteel

Made in Italy since 1990

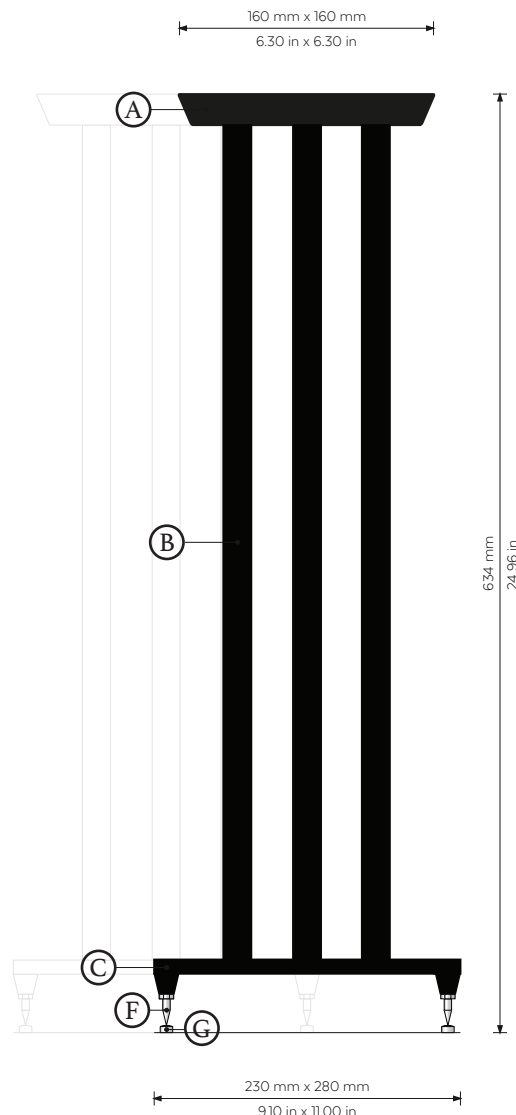
NS-6 SERIES

SCALE 1:5

Dear Music Lover,

you just purchased one of our Hi-Fi speaker stands designed to support your listenings. We recommends to assemble the product paying always attention to the floor surface to avoid scratches. After assembly is completed, do not forget to regulate the bottom spikes. To clean the shelves just use a damp cloth. The metal poles need to be well locked on the shelves. Face shelf can support a maximum weight of 10 Kg (20 lb). The hardware parts are made to be well locked during the assembly process. Always keep children away from the edges.

Thank you, we wish you all the best!



Package Content:

- A) Top Shelf, x2
- B) Aluminium Poles, x10
- C) Bottom Shelf, x2
- D) Screws, x20
- E) Patafix, x10
- F) Adjustable Spikes & M6 Nut, x8
- G) Protective Inox Floor Mini-Discs, x8

solidsteel

Made in Italy since 1990

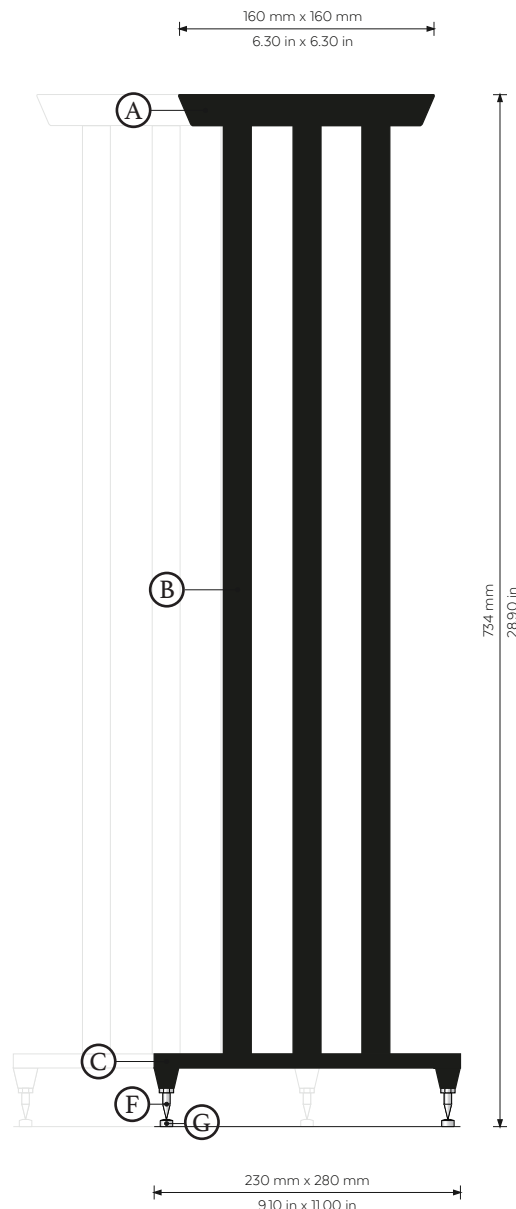
NS-7 SERIES

SCALE 1:5

Dear Music Lover,

you just purchased one of our Hi-Fi speaker stands designed to support your listenings. We recommends to assemble the product paying always attention to the floor surface to avoid scratches. After assembly is completed, do not forget to regulate the bottom spikes. To clean the shelves just use a damp cloth. The metal poles need to be well locked on the shelves. Face shelf can support a maximum weight of 10 Kg (20 lb). The hardware parts are made to be well locked during the assembly process. Always keep children away from the edges.

Thank you, we wish you all the best!



Package Content:

- A) Top Shelf, x2
- B) Aluminium Poles, x10
- C) Bottom Shelf, x2
- D) Screws, x20
- E) Patafix, x10
- F) Adjustable Spikes & M6 Nut, x8
- G) Protective Inox Floor Mini-Discs, x8

solidsteel

Made in Italy since 1990

NS-10 SERIES

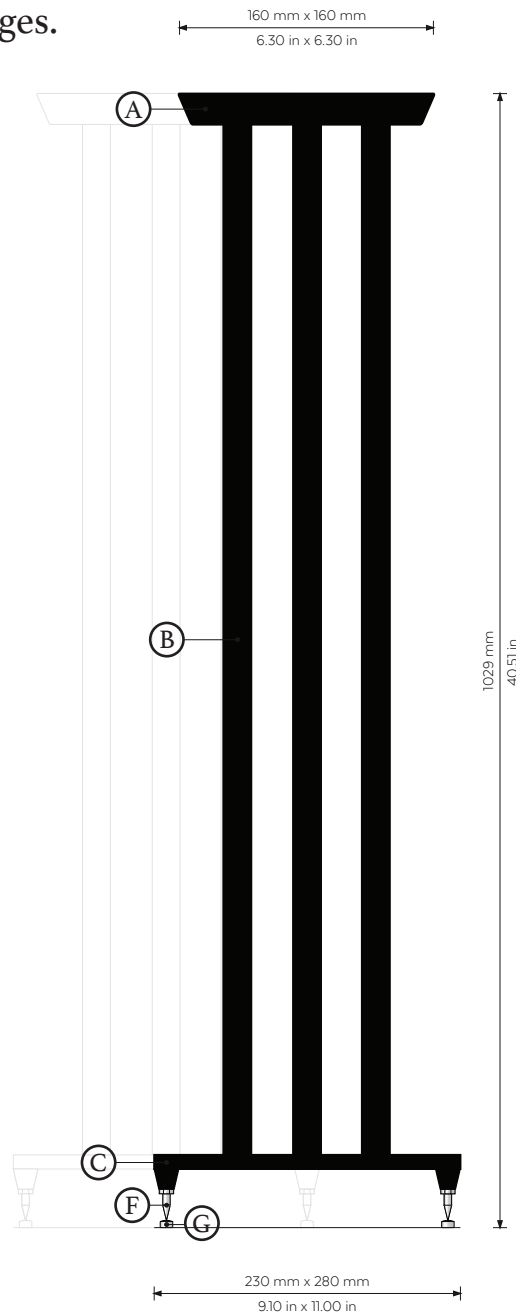
SCALE 1:5

Dear Music Lover,

you just purchased one of our Hi-Fi speaker stands designed to support your listenings. We recommends to assemble the product paying always attention to the floor surface to avoid scratches. After assembly is completed, do not forget to regulate the bottom spikes. To clean the shelves just use a damp cloth. The metal poles need to be well locked on the shelves. Face shelf can support a maximum weight of 10 Kg (20 lb). The hardware parts are made to be well locked during the assembly process.

Always keep children away from the edges.

Thank you, we wish you all the best!



Package Content:

- A) Top Shelf, x2
- B) Aluminium Poles, x10
- C) Bottom Shelf, x2
- D) Screws, x20
- E) Patafix, x10
- F) Adjustable Spikes & M6 Nut, x8
- G) Protective Inox Floor Mini-Discs, x8

solidsteel

Made in Italy since 1990

SS-5 LOUDSPEAKER SERIES

SCALE 1:10

Dear Music Lover,

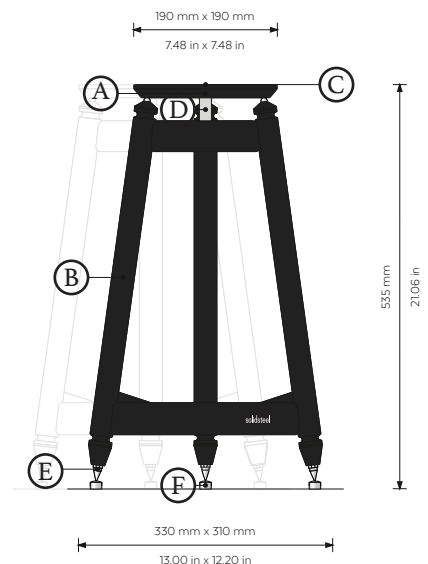
you just purchased a pair of stands, for bookshelf loudspeakers, completely handcrafted and made in Italy. The first time this model was introduced on market is been in 1992. We recommend to pay attention on the product parts and to assemble it safety, keeping the spikes, the spheres, and the other materials away from children or animals. Also, do not forget to consider the surface of the floor. We always suggest to purchase our "S Series Pads" as accessories for decoupling the tips from the ground. The product is fillable with metallic powder. Before of screwing the top plates on the frame, put the metal spheres on the concave holes. Face shelf can support a maximum weight of 10 Kg (20 Ib). The hardware parts are made to be well locked during the assembly process. Always keep children away from the edges.

Thank you, we wish you all the best!

Package Content:

- A) Top Shelf, x2
- B) Aluminium Poles, x6
- C) Screws, x6
- D) Separator, x2
- E) Adjustable Spikes & M8 Nut, x6
- F) Protective Inox Floor Mini-Discs, x6

The O-Ring must be placed toward the steel frame!



solidsteel

Made in Italy since 1990

SS-6 LOUDSPEAKER SERIES

SCALE 1:10

Dear Music Lover,

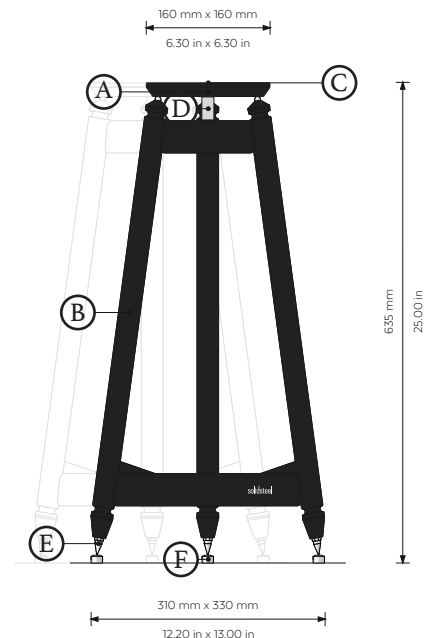
you just purchased a pair of stands, for bookshelf loudspeakers, completely handcrafted and made in Italy. The first time this model was introduced on market is been in 1992. We recommend to pay attention on the product parts and to assemble it safety, keeping the spikes, the spheres, and the other materials away from children or animals. Also, do not forget to consider the surface of the floor. We always suggest to purchase our "S Series Pads" as accessories for decoupling the tips from the ground. The product is fillable with metallic powder. Before of screwing the top plates on the frame, put the metal spheres on the concave holes. Face shelf can support a maximum weight of 10 Kg (20 lb). The hardware parts are made to be well locked during the assembly process. Always keep children away from the edges.

Thank you, we wish you all the best!

Package Content:

- A) Top Shelf, x2
- B) Aluminium Poles, x6
- C) Screws, x6
- D) Separator, x2
- E) Adjustable Spikes & M8 Nut, x6
- F) Protective Inox Floor Mini-Discs, x6

The O-Ring must be placed toward the steel frame!



solidsteel

Made in Italy since 1990

SS-7 LOUDSPEAKER SERIES

SCALE 1:10

Dear Music Lover,

you just purchased a pair of stands, for bookshelf loudspeakers, completely handcrafted and made in Italy. The first time this model was introduced on market is been in 1992. We recommend to pay attention on the product parts and to assemble it safety, keeping the spikes, the spheres, and the other materials away from children or animals. Also, do not forget to consider the surface of the floor. We always suggest to purchase our "S Series Pads" as accessories for decoupling the tips from the ground. The product is fillable with metallic powder. Before of screwing the top plates on the frame, put the metal spheres on the concave holes. Face shelf can support a maximum weight of 10 Kg (20 lb). The hardware parts are made to be well locked during the assembly process. Always keep children away from the edges.

Thank you, we wish you all the best!

Package Content:

- A) Top Shelf, x2
- B) Aluminium Poles, x6
- C) Screws, x6
- D) Separator, x2
- E) Adjustable Spikes & M8 Nut, x6
- F) Protective Inox Floor Mini-Discs, x6

The O-Ring must be placed toward the steel frame!

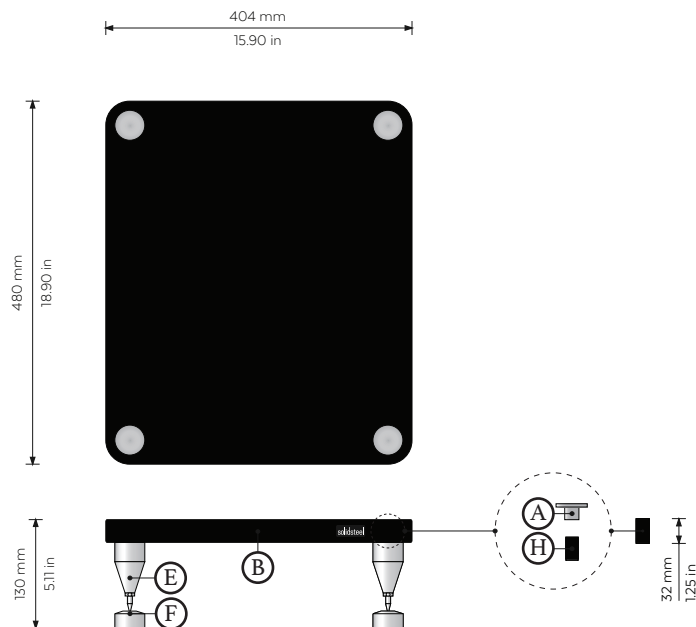


solidsteel

Made in Italy since 1990

HY-B POWER AMP STAND SERIES

SCALE 1:10



Package Content:

A) Top Covers, x4

B) Top Shelf, x1

E) Bottom Floor Standing HY Junior, x4

F) Hyperspike Pads, x4

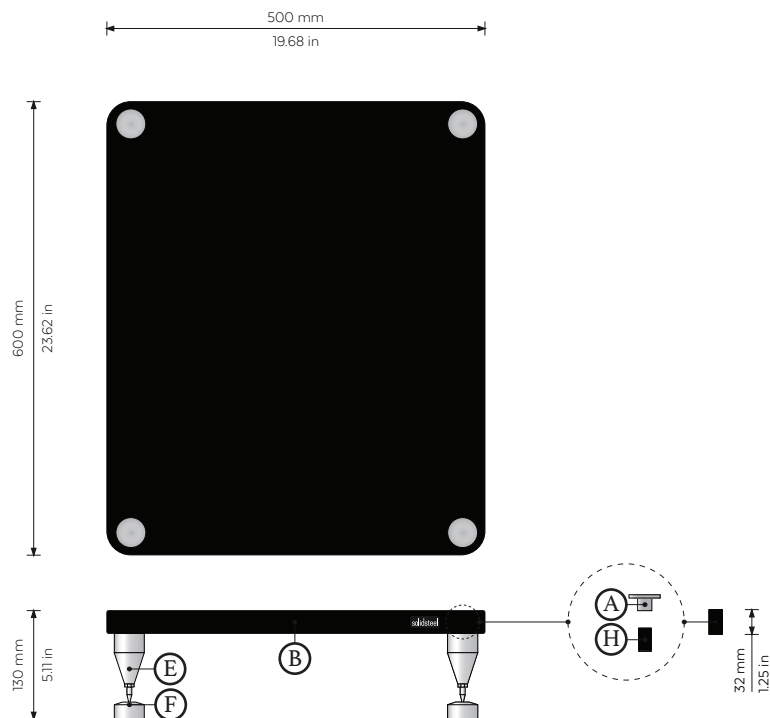
H) Screws for the Top Shelf, x4

solidsteel

Made in Italy since 1990

HY-C POWER AMP STAND SERIES

SCALE 1:10



Package Content:

A) Top Covers, x4

B) Top Shelf, x1

E) Bottom Floor Standing HY Junior, x4

F) Hyperspike Pads, x4

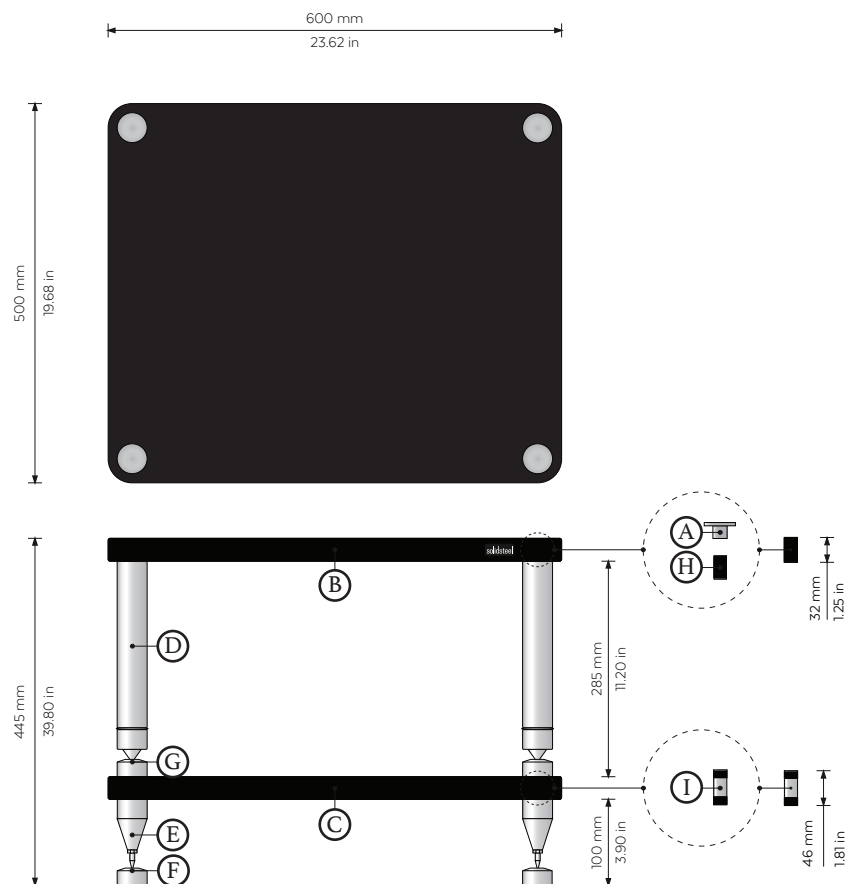
H) Screws for the Top Shelf, x4

solidsteel

Made in Italy since 1990

HY-2 SERIES

SCALE 1:10



Package Content:

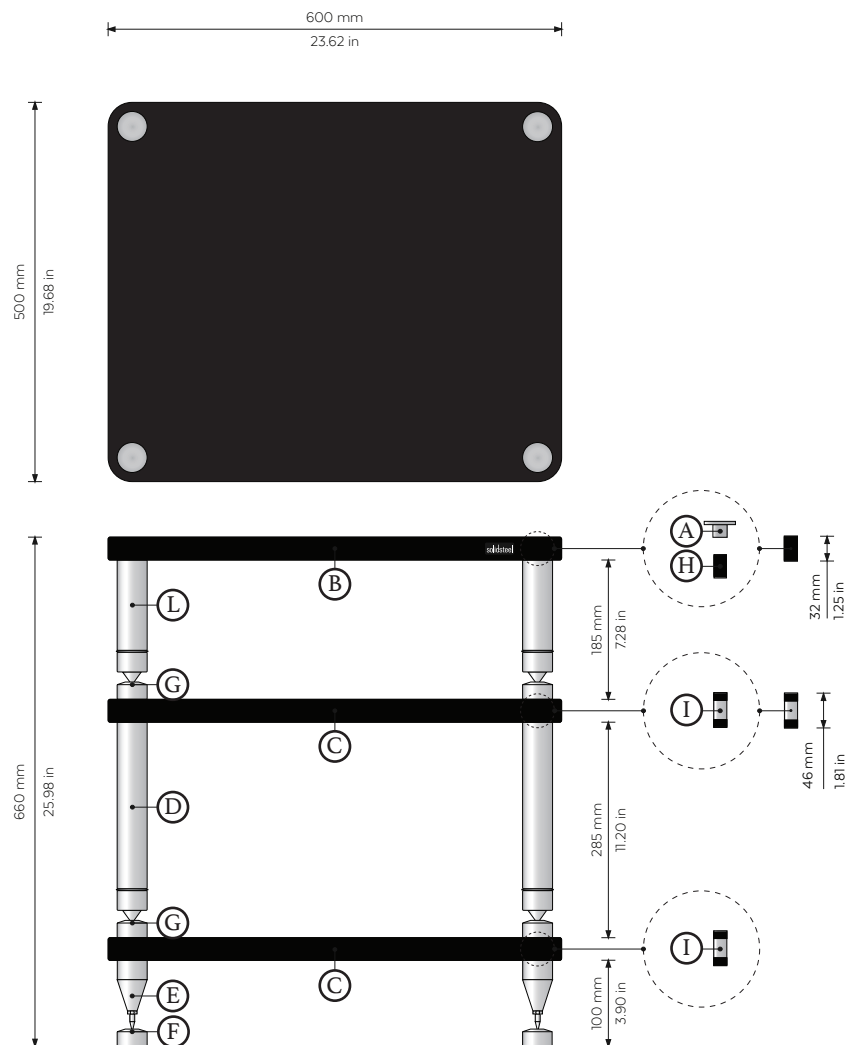
- A) Top Covers, x4
- B) Top Shelf, x1
- C) Inner Shelf, x1
- D) Frame Top Poles for 285 mm (12,00 in), x4
- E) Bottom Floor Standing HY Junior, x4
- F) Hyperspike Pads, x4
- G) Frame Upper Bases, x4
- H) Screws for the Top Shelf, x4
- I) Screws for the Inner Shelf, x4

solidsteel

Made in Italy since 1990

HY-3 SERIES

SCALE 1:10



Package Content:

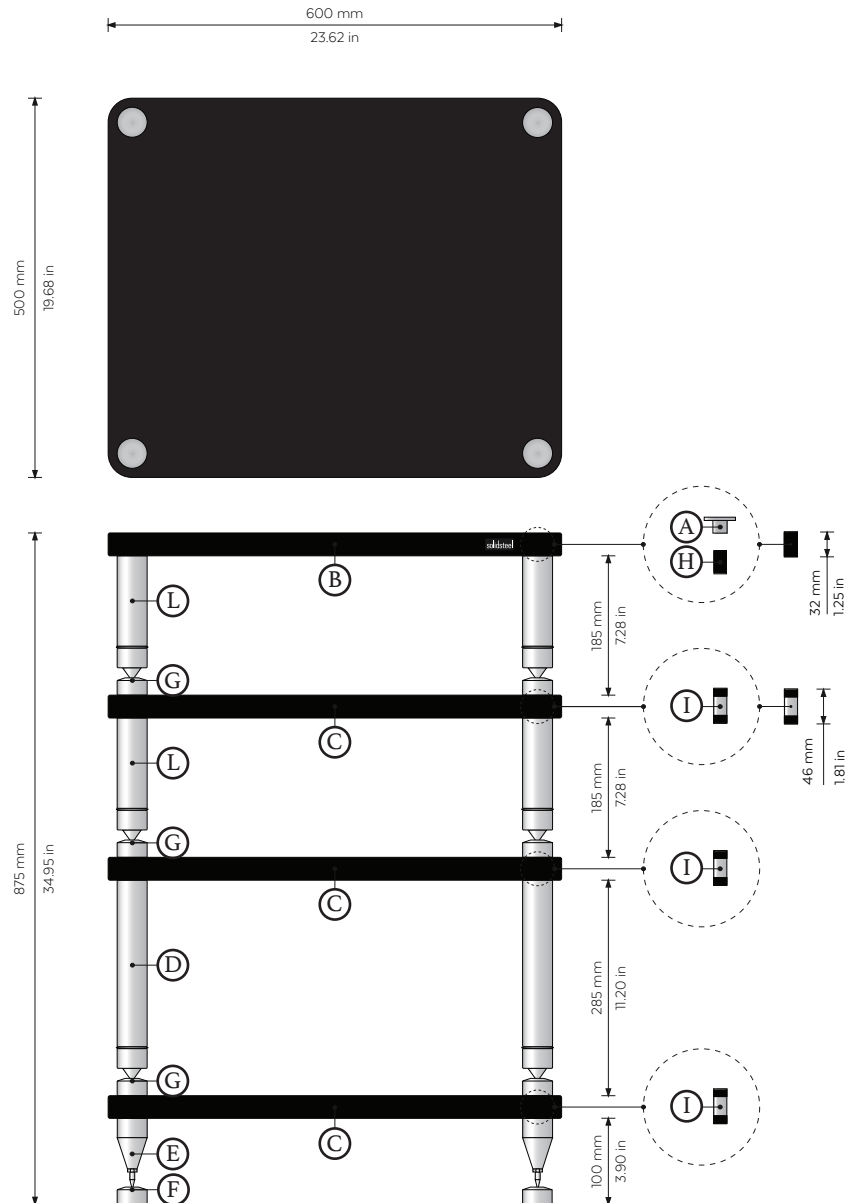
- A) Top Covers, x4
- B) Top Shelf, x1
- C) Inner Shelf, x2
- D) Frame Top Poles for 285 mm (12,00 in), x4
- E) Bottom Floor Standing HY Junior, x4
- F) Hyperspike Pads, x4
- G) Frame Upper Bases, x8
- H) Screws for the Top Shelf, x4
- I) Screws for the Inner Shelf, x8
- L) Frames Inner Poles for 185 mm (7,28 in), x4

solidsteel

Made in Italy since 1990

HY-4 SERIES

SCALE 1:10



Package Content:

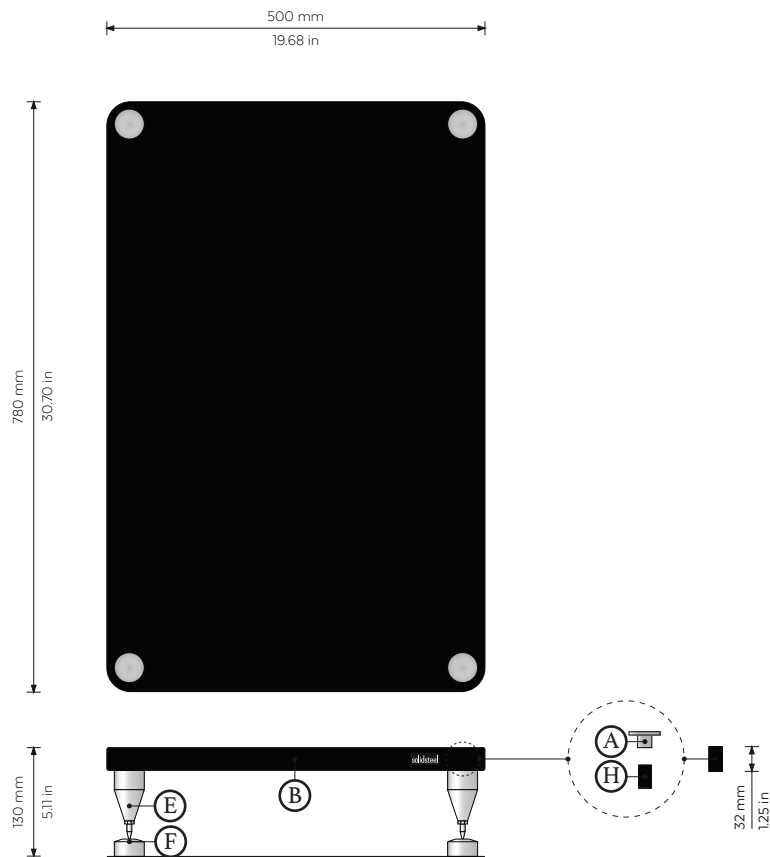
- A) Top Covers, x4
- B) Top Shelf, x1
- C) Inner Shelf, x3
- D) Frame Top Poles for 285 mm (12,00 in), x4
- E) Bottom Floor Standing HY Junior, x4
- F) Hyperspike Pads, x4
- G) Frame Upper Bases, x12
- H) Screws for the Top Shelf, x4
- I) Screws for the Inner Shelf, x12
- L) Frames Inner Poles for 185 mm (7,28 in), x8

solidsteel

Made in Italy since 1990

HY-LC POWER AMP STAND SERIES

SCALE 1:10



Package Content:

A) Top Covers, x4

B) Top Shelf, x1

E) Bottom Floor Standing HY Junior, x4

F) Hyperspike Pads, x4

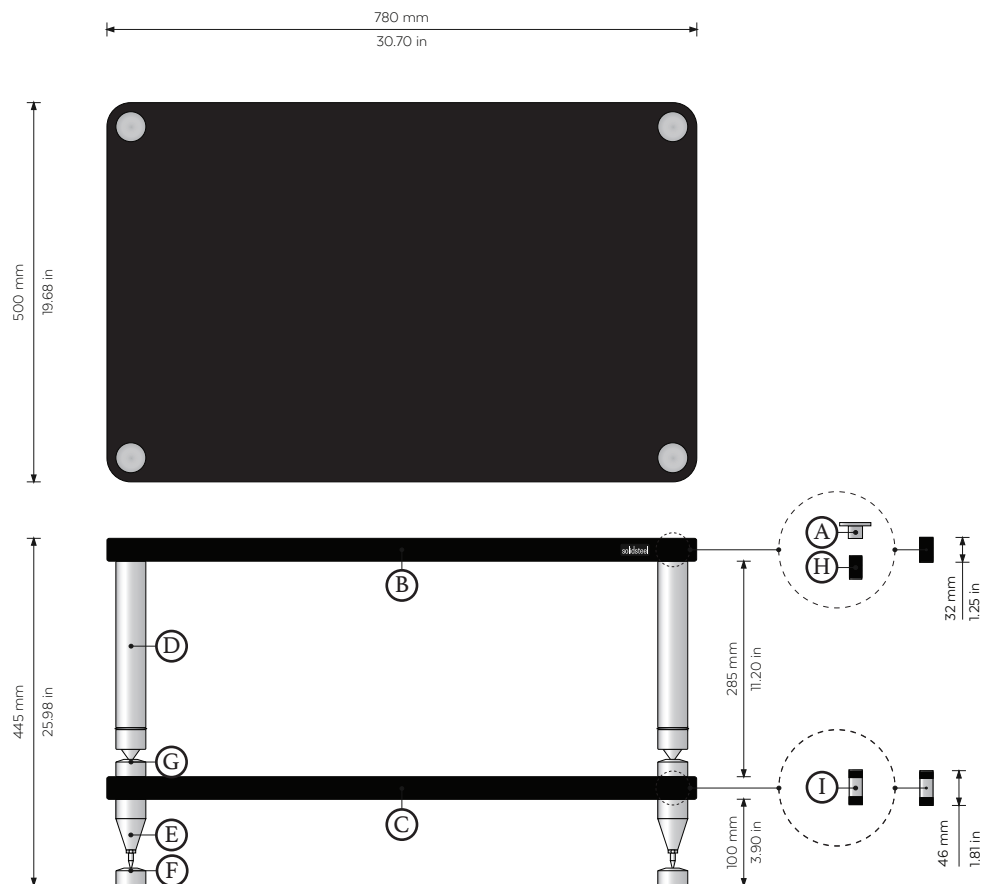
H) Screws for the Top Shelf, x4

solidsteel

Made in Italy since 1990

HY-2L SERIES

SCALE 1:10



Package Content:

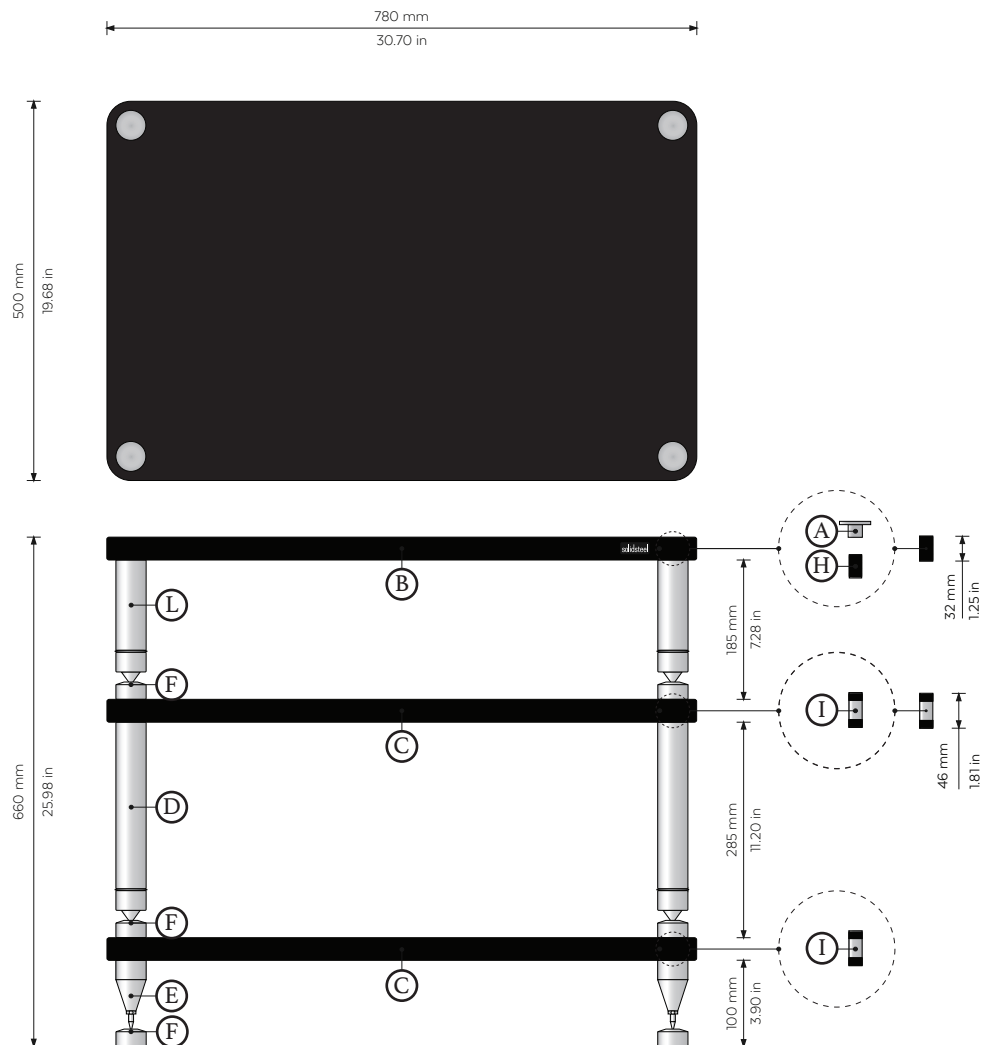
- A) Top Covers, x4
- B) Top Shelf, x1
- C) Inner Shelf, x1
- D) Frame Top Poles for 285 mm (12,00 in), x4
- E) Bottom Floor Standing HY Junior, x4
- F) Hyperspike Pads, x4
- G) Frame Upper Bases, x4
- H) Screws for the Top Shelf, x4
- I) Screws for the Inner Shelf, x4

solidsteel

Made in Italy since 1990

HY-3L SERIES

SCALE 1:10



Package Content:

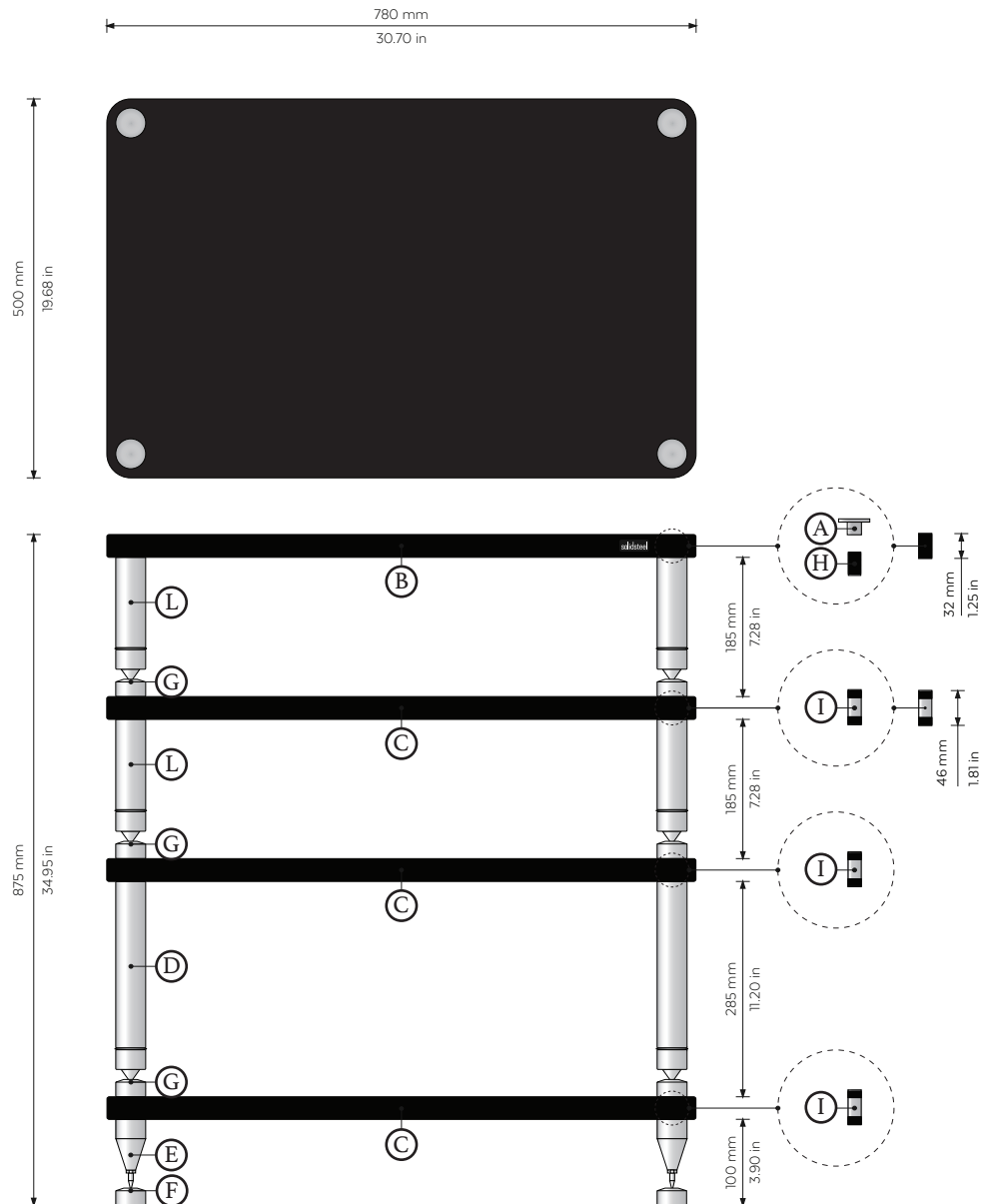
- A) Top Covers, x4
- B) Top Shelf, x1
- C) Inner Shelf, x2
- D) Frame Top Poles for 285 mm (12,00 in), x4
- E) Bottom Floor Standing HY Junior, x4
- F) Hyperspike Pads, x4
- G) Frame Upper Bases, x8
- H) Screws for the Top Shelf, x4
- I) Screws for the Inner Shelf, x8
- L) Frames Inner Poles for 185 mm (7,28 in), x4

solidsteel

Made in Italy since 1990

HY-4L SERIES

SCALE 1:10



Package Content:

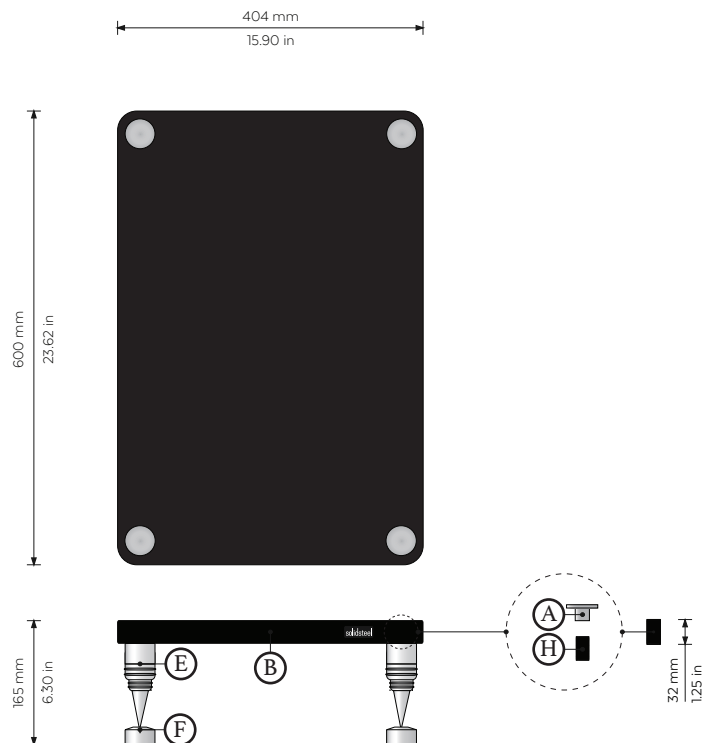
- A) Top Covers, x4
- B) Top Shelf, x1
- C) Inner Shelf, x3
- D) Frame Top Poles for 285 mm (12,00 in), x4
- E) Bottom Floor Standing HY Junior, x4
- F) Hyperspike Pads, x4
- G) Frame Upper Bases, x12
- H) Screws for the Top Shelf, x4
- I) Screws for the Inner Shelf, x12
- L) Frames Inner Poles for 185 mm (7,28 in), x8

solidsteel

Made in Italy since 1990

HF-A POWER AMP STAND SERIES

SCALE 1:10



Package Content:

A) Top Covers, x4

B) Top Shelf, x1

E) Bottom Floor Standing Hyperspike, x4

F) Hyperspike Pads, x4

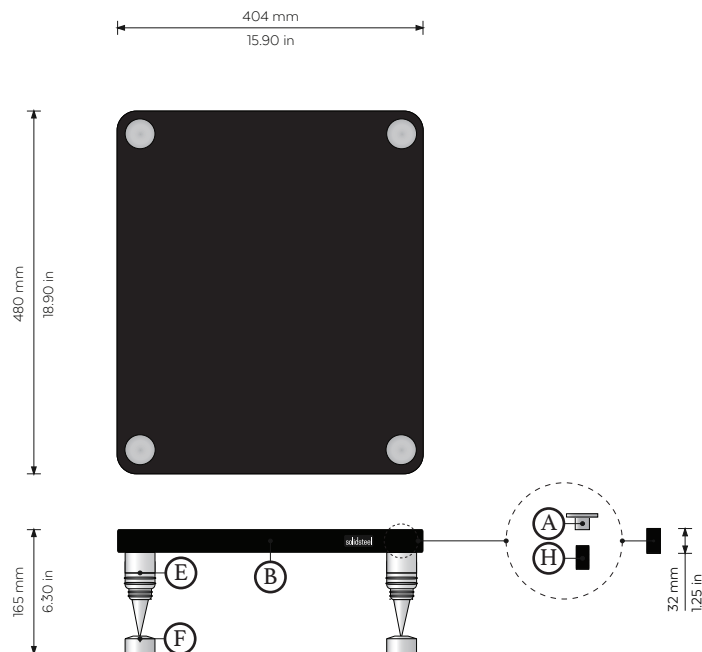
H) Screws for the Top Shelf, x4

solidsteel

Made in Italy since 1990

HF-B POWER AMP STAND SERIES

SCALE 1:10



Package Content:

A) Top Covers, x4

B) Top Shelf, x1

E) Bottom Floor Standing Hyperspike, x4

F) Hyperspike Pads, x4

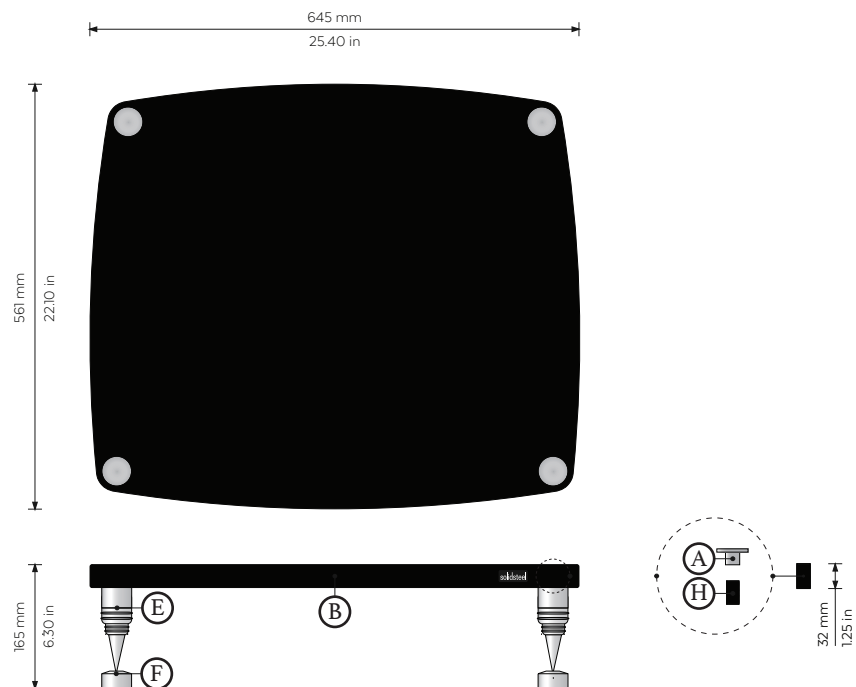
H) Screws for the Top Shelf, x4

solidsteel

Made in Italy since 1990

HF-C POWER AMP STAND SERIES

SCALE 1:10



Package Content:

A) Top Covers, x4

B) Top Shelf, x1

E) Bottom Floor Standing Hyperspike, x4

F) Hyperspike Pads, x4

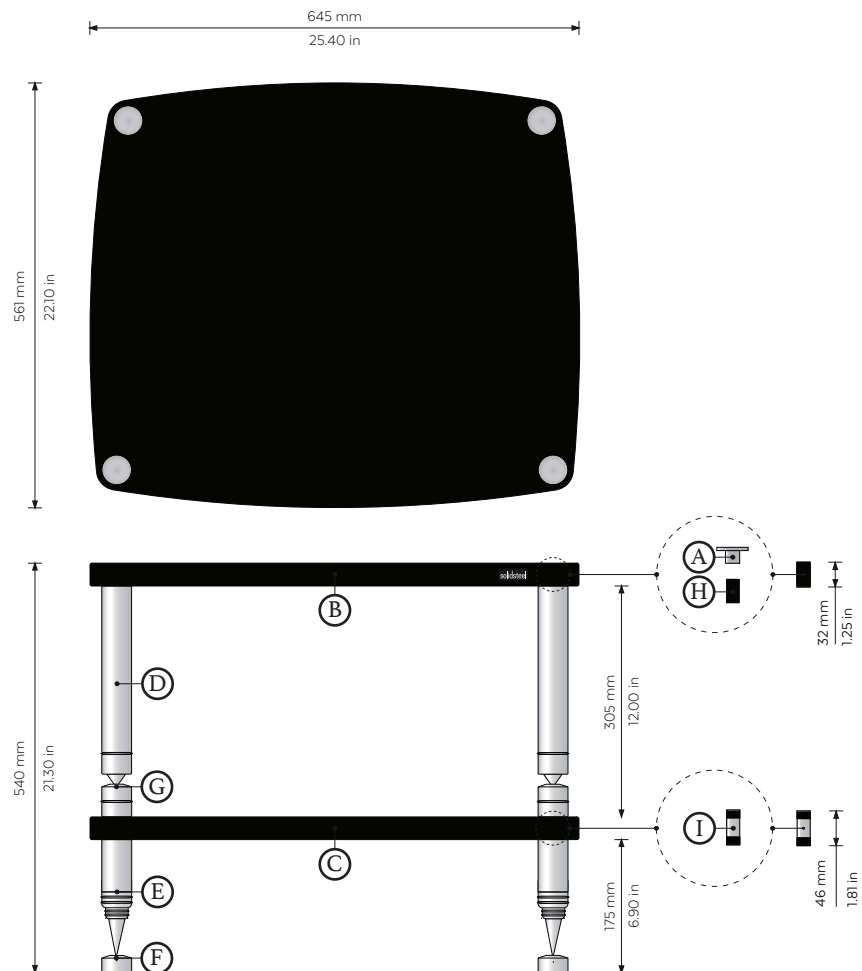
H) Screws for the Top Shelf, x4

solidsteel

Made in Italy since 1990

HF-2 SERIES

SCALE 1:10



Package Content:

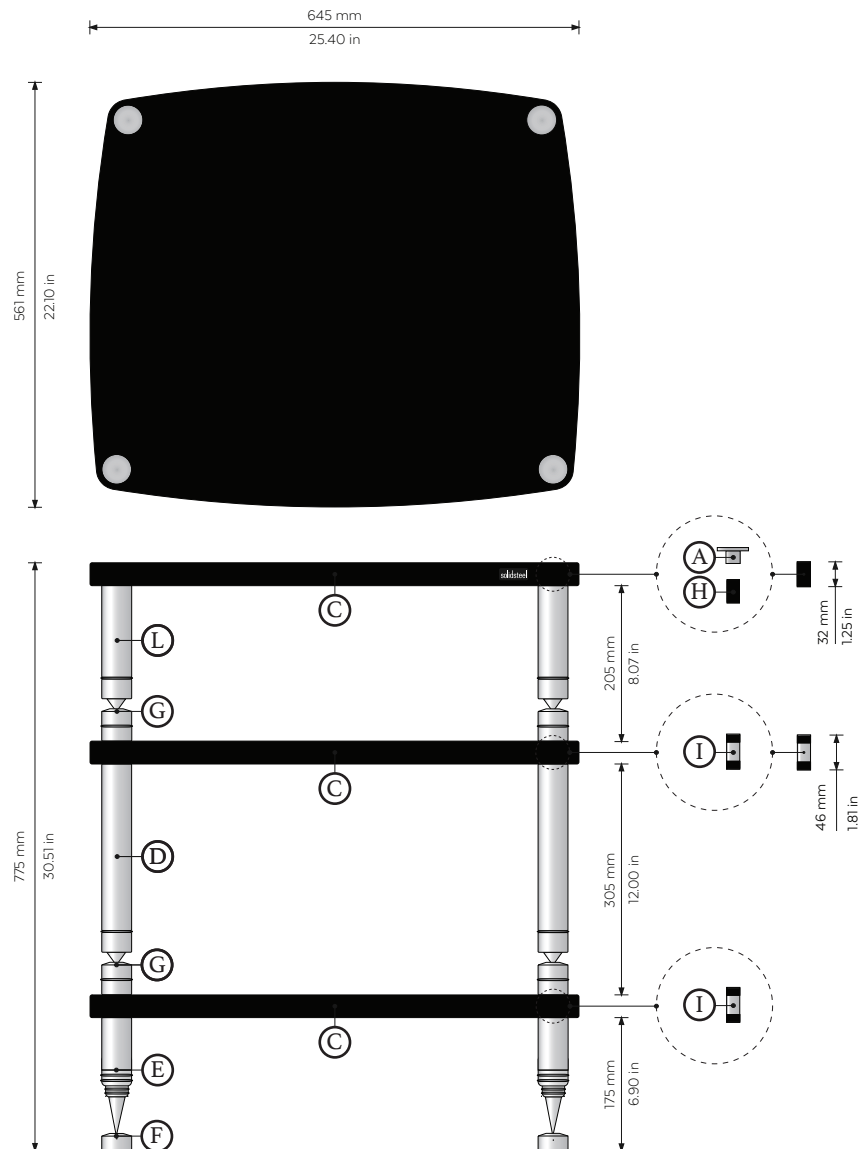
- A) Top Covers, x4
- B) Top Shelf, x1
- C) Inner Shelf, x1
- D) Frame Top Poles for 305 mm (12,00 in), x4
- E) Bottom Floor Standing Hyperspike, x4
- F) Hyperspike Pads, x4
- G) Frame Upper Bases, x4
- H) Screws for the Top Shelf, x4
- I) Screws for the Inner Shelf, x4

solidsteel

Made in Italy since 1990

HF-3 SERIES

SCALE 1:10



Package Content:

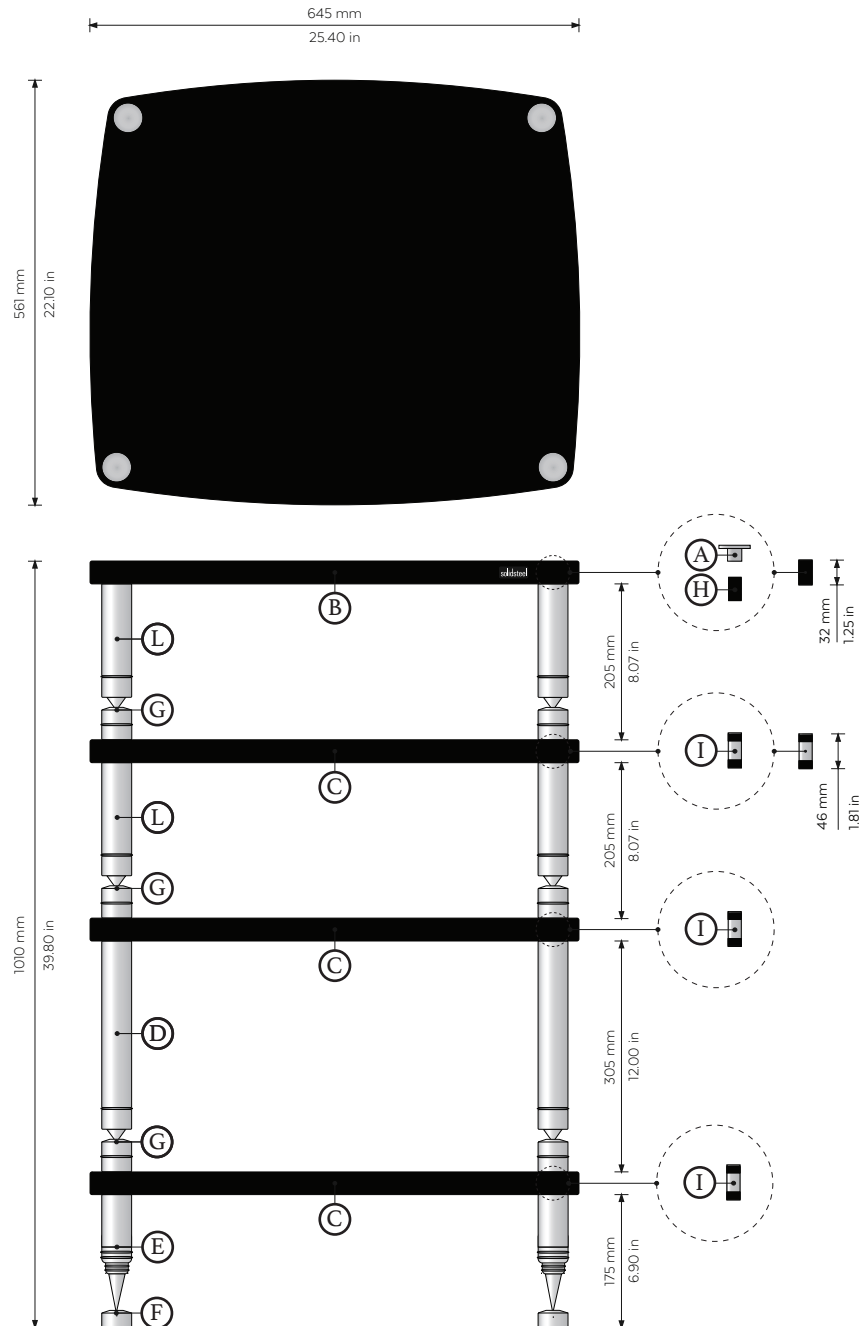
- A) Top Covers, x4
- B) Top Shelf, x1
- C) Inner Shelf, x2
- D) Frame Top Poles for 305 mm (12,00 in), x4
- E) Bottom Floor Standing Hyperspike, x4
- F) Hyperspike Pads, x4
- G) Frame Upper Bases, x8
- H) Screws for the Top Shelf, x4
- I) Screws for the Inner Shelf, x8
- L) Frame Inner Poles for 205 mm (8,07 in), x4

solidsteel

Made in Italy since 1990

HF-4 SERIES

SCALE 1:10



Package Content:

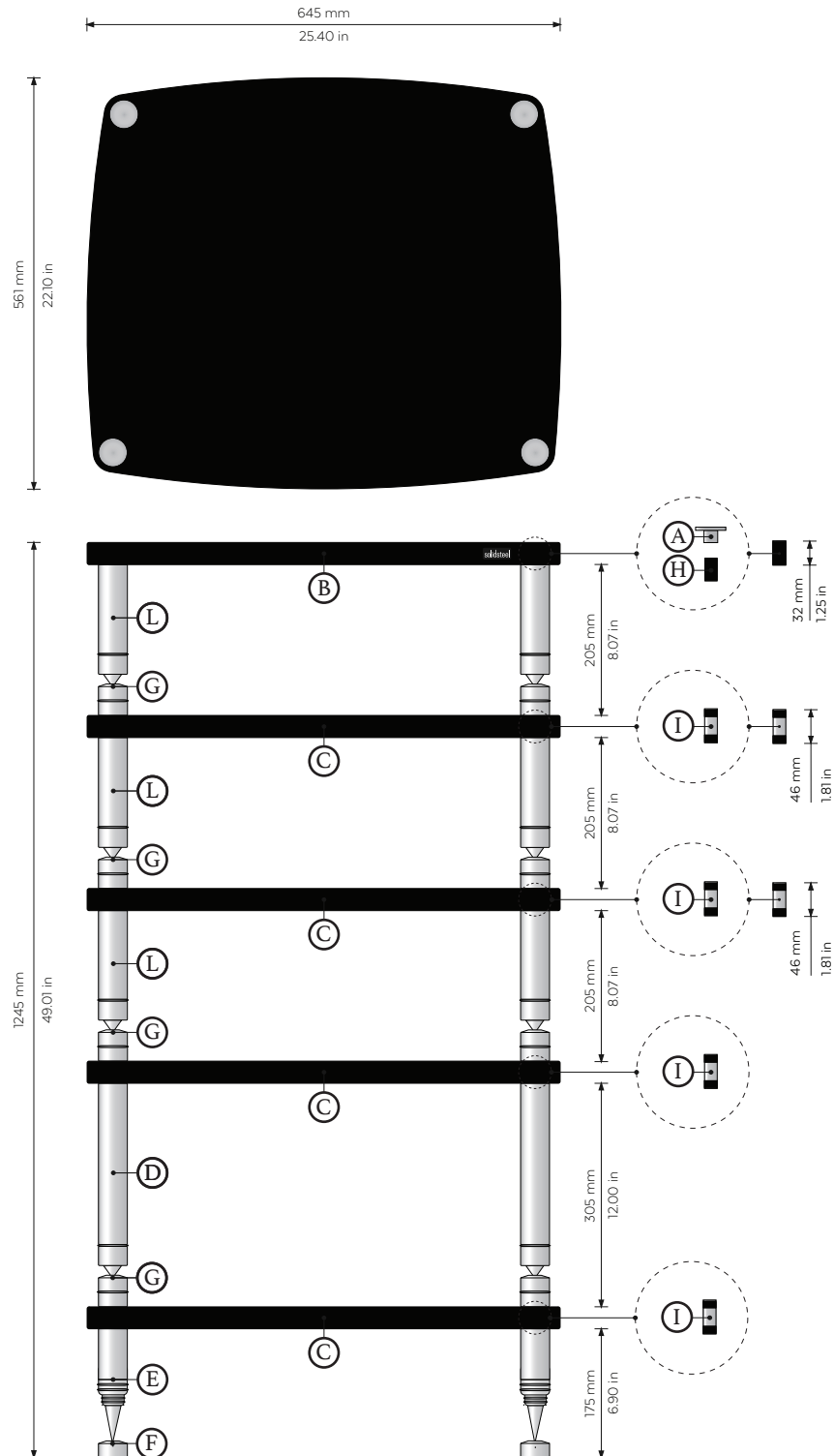
- A) Top Covers, x4
- B) Top Shelf, x1
- C) Inner Shelf, x3
- D) Frame Top Poles for 305 mm (12,00 in), x4
- E) Bottom Floor Standing Hyperspike, x4
- F) Hyperspike Pads, x4
- G) Frame Upper Bases, x12
- H) Screws for the Top Shelf, x4
- I) Screws for the Inner Shelf, x12
- L) Frame Inner Poles for 205 mm (8,07 in), x8

solidsteel

Made in Italy since 1990

HF-5 SERIES

SCALE 1:10



Package Content:

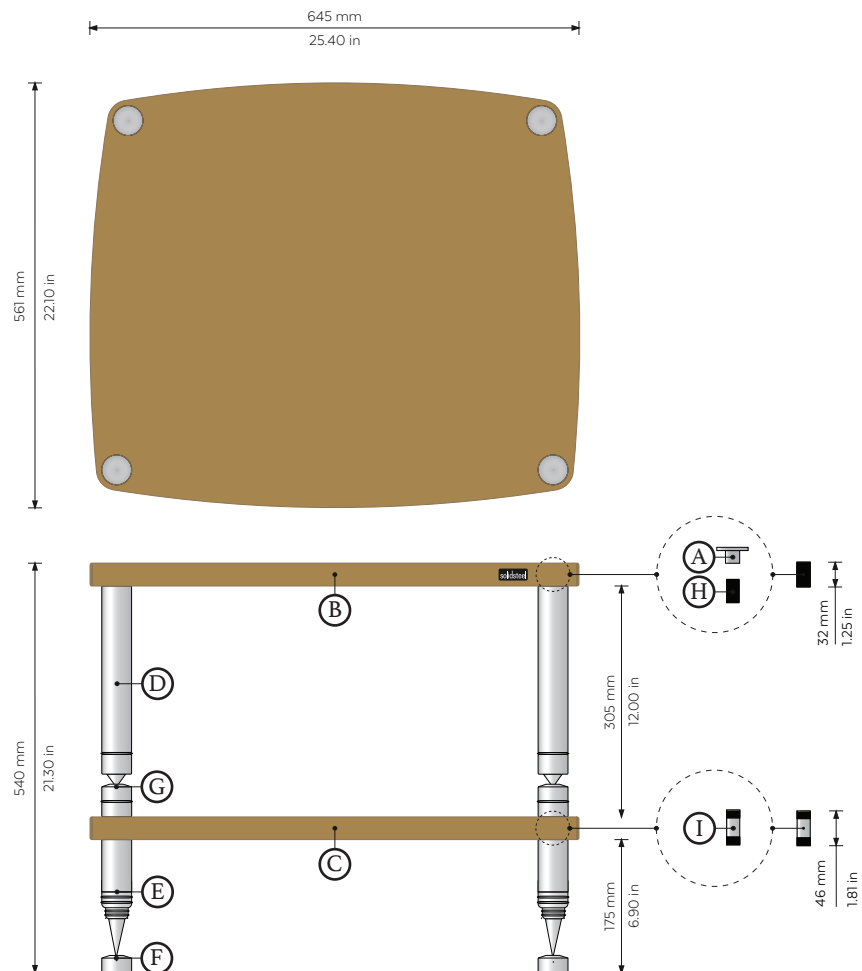
- A) Top Covers, x4
- B) Top Shelf, x1
- C) Inner Shelf, x4
- D) Frame Top Poles for 305 mm (12,00 in), x4
- E) Bottom Floor Standing Hyperspike, x4
- F) Hyperspike Pads, x4
- G) Frame Upper Bases, x16
- H) Screws for the Top Shelf, x4
- I) Screws for the Inner Shelf, x16
- L) Frame Inner Poles for 205 mm (8,07 in), x12

solidsteel

Made in Italy since 1990

HF-2 ÉLITE SERIES

SCALE 1:10 |
 AMERICAN |
 NATURAL |
 WALNUT |



Package Content:

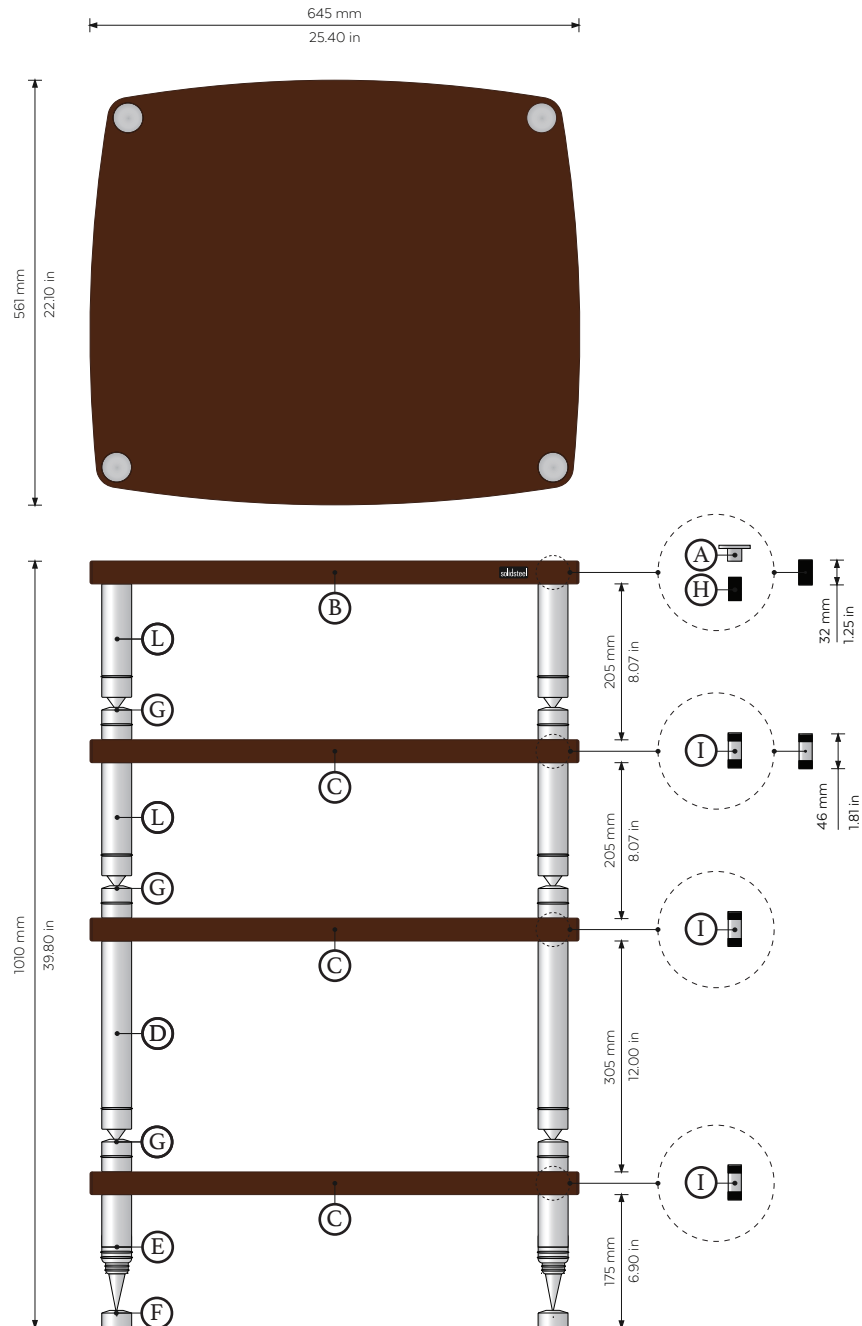
- A) Top Covers, x4
- B) Top Shelf, x1
- C) Inner Shelf, x1
- D) Frame Top Poles for 305 mm (12,00 in), x4
- E) Bottom Floor Standing Hyperspike, x4
- F) Hyperspike Pads, x4
- G) Frame Upper Bases, x4
- H) Screws for the Top Shelf, x4
- I) Screws for the Inner Shelf, x4

solidsteel

Made in Italy since 1990

HF-4 ELITE SERIES

SCALE 1:10 |
INDONESIAN |
MACASSAR |
EBONY |



Package Content:

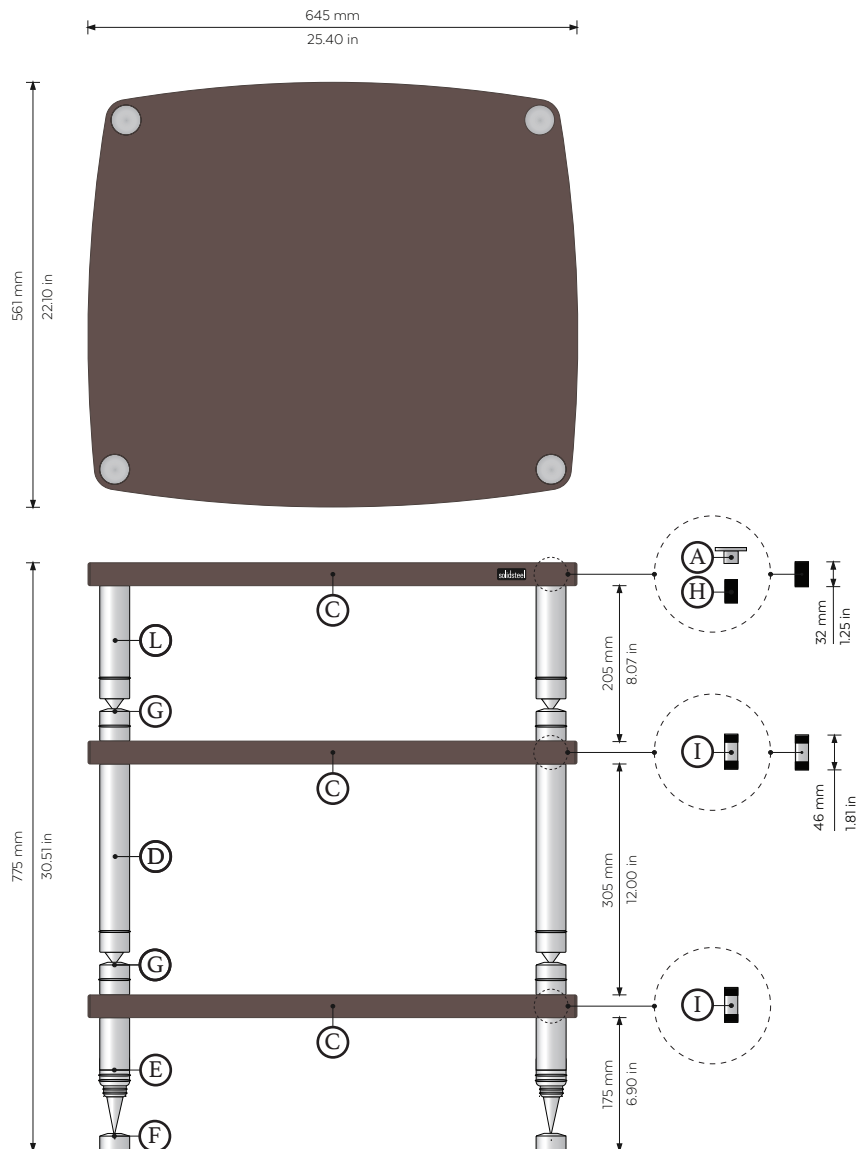
- A) Top Covers, x4
- B) Top Shelf, x1
- C) Inner Shelf, x3
- D) Frame Top Poles for 305 mm (12,00 in), x4
- E) Bottom Floor Standing Hyperspike, x4
- F) Hyperspike Pads, x4
- G) Frame Upper Bases, x12
- H) Screws for the Top Shelf, x4
- I) Screws for the Inner Shelf, x12
- L) Frame Inner Poles for 205 mm (8,07 in), x8

solidsteel

Made in Italy since 1990

HF-3 ELITE SERIES

SCALE 1:10 |
INDIAN |
ROSEWOOD |



Package Content:

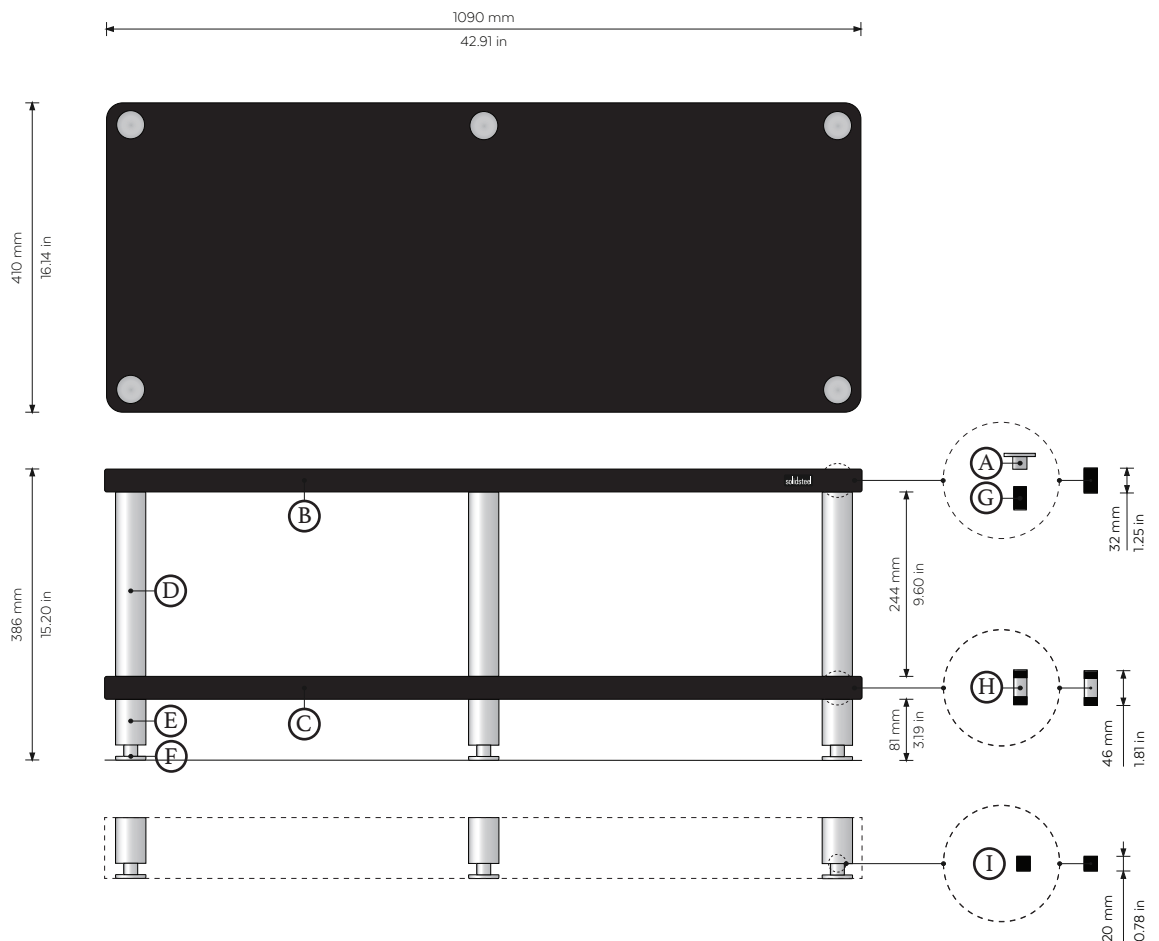
- A) Top Covers, x4
- B) Top Shelf, x1
- C) Inner Shelf, x2
- D) Frame Top Poles for 305 mm (12,00 in), x4
- E) Bottom Floor Standing Hyperspike, x4
- F) Hyperspike Pads, x4
- G) Frame Upper Bases, x8
- H) Screws for the Top Shelf, x4
- I) Screws for the Inner Shelf, x8
- L) Frame Inner Poles for 205 mm (8,07 in), x4

solidsteel

Made in Italy since 1990

HW-2 SERIES

SCALE 1:10



Package Content:

- A) Top Covers, x5
- B) Top Shelf, x1
- C) Inner Shelf, x1
- D) Frame Top Poles for 244 mm (11,20 in), x5
- E) Bottom Floor Standing HW, x5

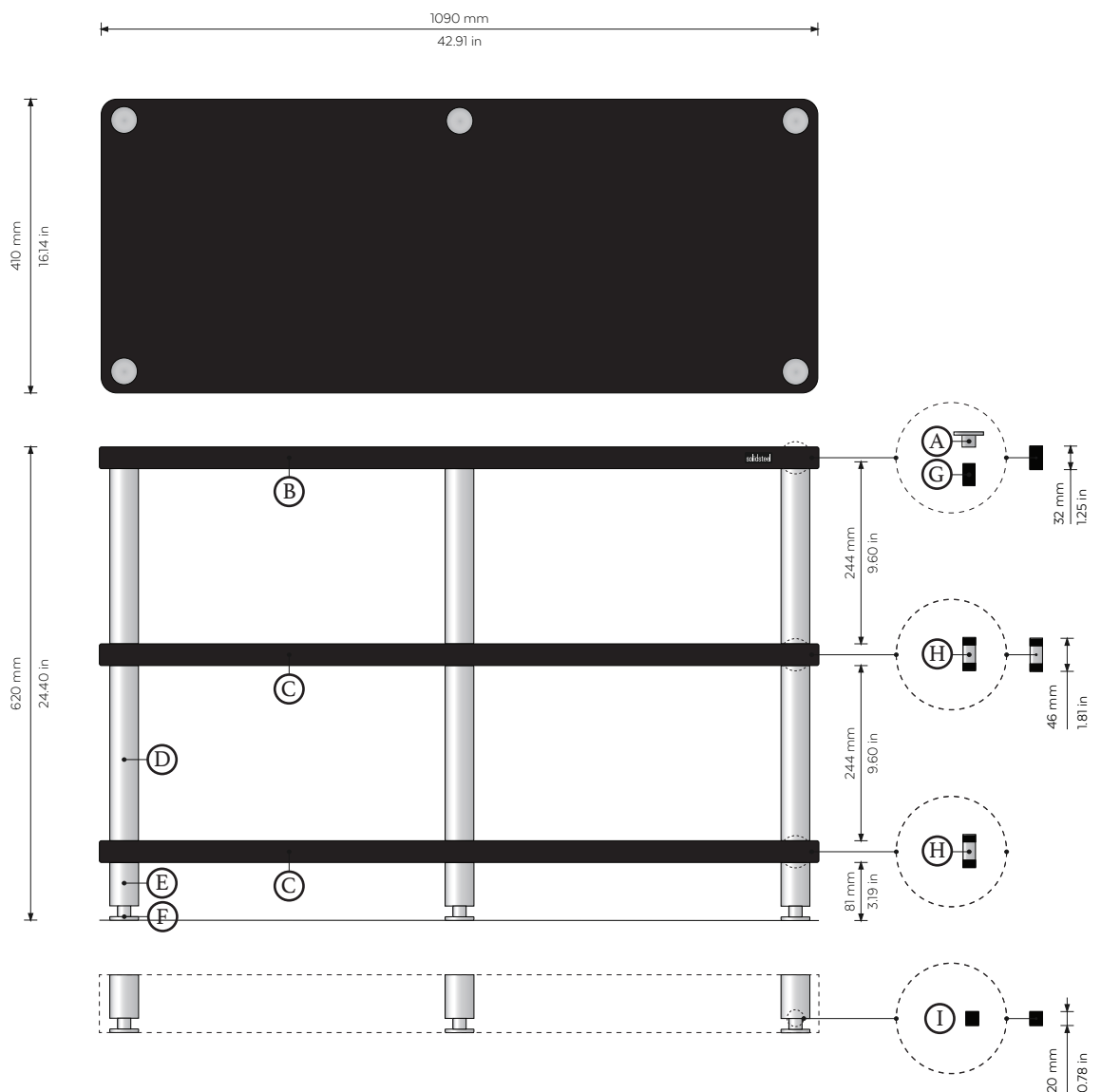
- F) HW Pads, x5
- G) Screws for the Top Shelf, x5
- H) Screws for the Inner Shelf, x5
- I) Screws for the HW Pads, x5

solidsteel

Made in Italy since 1990

HW-3 SERIES

SCALE 1:10



Package Content:

- A) Top Covers, x10
- B) Top Shelf, x1
- C) Inner Shelf, x2
- D) Frame Top Poles for 244 mm (11,20 in), x10
- E) Bottom Floor Standing HW, x5

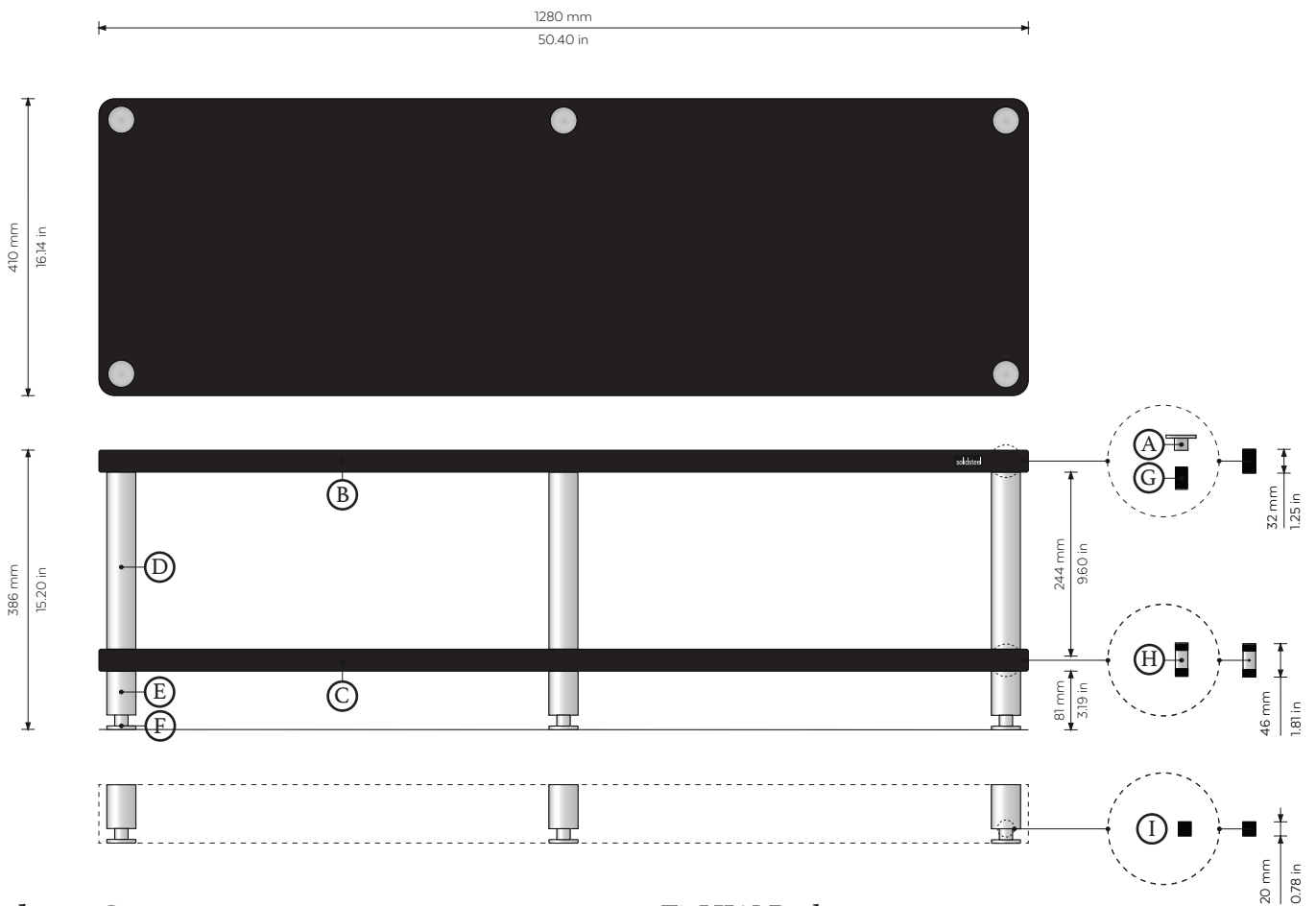
- F) HW Pads, x5
- G) Screws for the Top Shelf, x5
- H) Screws for the Inner Shelf, x10
- I) Screws for the HW Pads, x5

solidsteel

Made in Italy since 1990

HW-2L SERIES

SCALE 1:10



Package Content:

- A) Top Covers, x5
- B) Top Shelf, x1
- C) Inner Shelf, x1
- D) Frame Top Poles for 244 mm (11,20 in), x5
- E) Bottom Floor Standing HW, x5

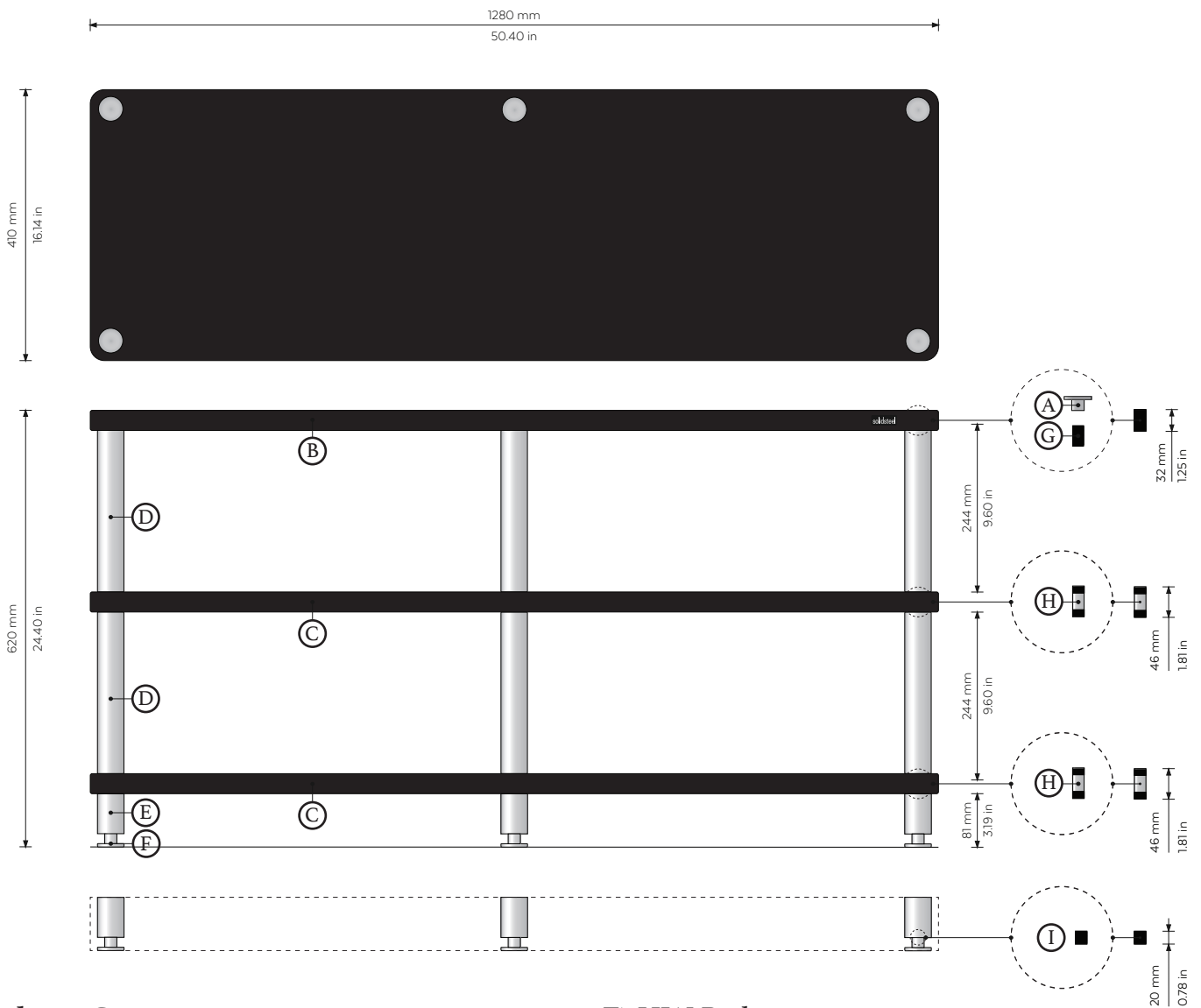
- F) HW Pads, x5
- G) Screws for the Top Shelf, x5
- H) Screws for the Inner Shelf, x5
- I) Screws for the HW Pads, x5

solidsteel

Made in Italy since 1990

HW-3L SERIES

SCALE 1:10



Package Content:

- A) Top Covers, x5
- B) Top Shelf, x1
- C) Inner Shelf, x1
- D) Frame Top Poles for 244 mm (11,20 in), x5
- E) Bottom Floor Standing HW, x5

- F) HW Pads, x5
- G) Screws for the Top Shelf, x5
- H) Screws for the Inner Shelf, x5
- I) Screws for the HW Pads, x5

solidsteel

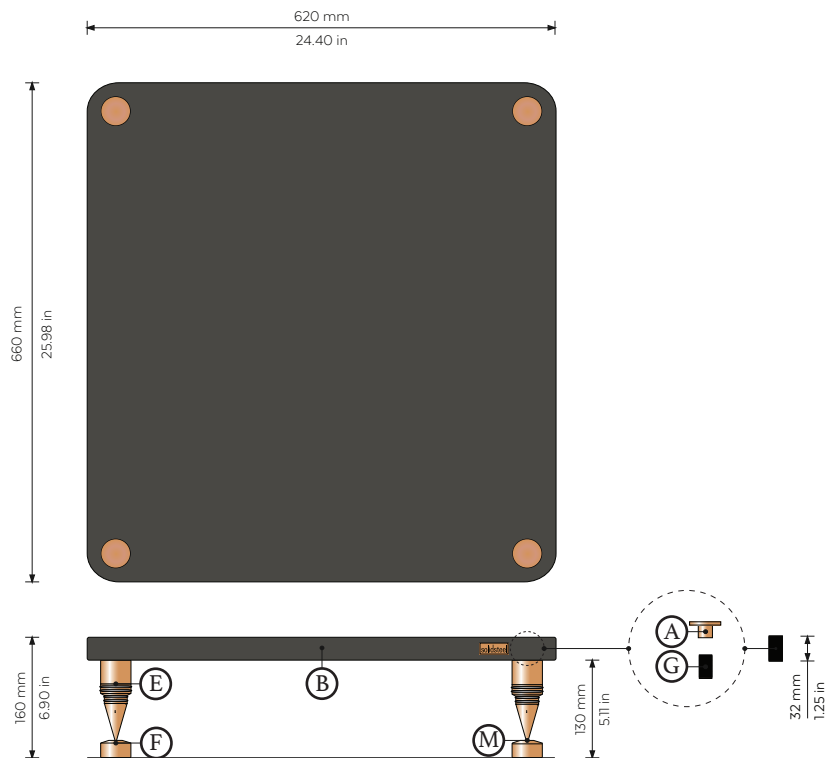
Made in Italy since 1990

HP-A LUXURY POWER AMP STAND SERIES

SCALE 1:10

ATLANTIC

BLACK



Package Content:

A) Top Covers, x4

B) Top Shelf, x1

E) Bottom Floor Standing Hyperspike, x4

F) Hyperspike Pads, x4

G) Frame Upper Bases, x4

M) Rubber Discs, x10

solidsteel

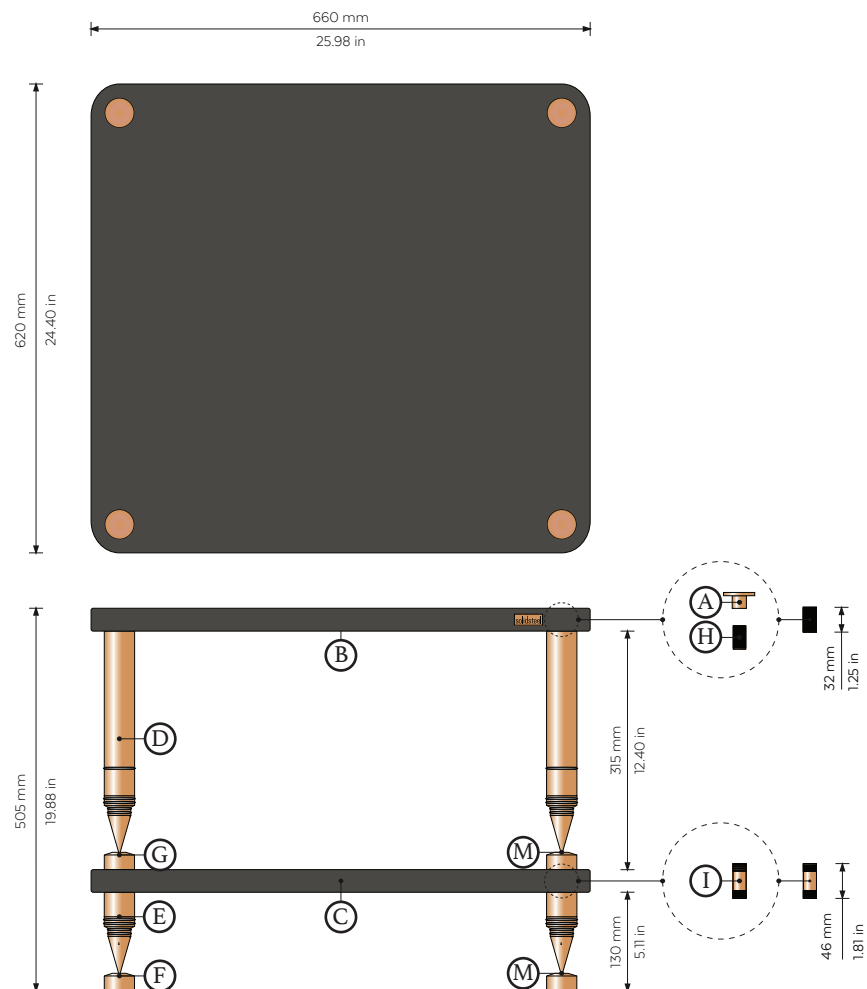
Made in Italy since 1990

HP-2 LUXURY AV RACK SERIES

SCALE 1:10

ATLANTIC

BLACK



Package Content:

A) Top Covers, x4

B) Top Shelf, x1

E) Bottom Floor Standing Hyperspike, x4

F) Hyperspike Pads, x4

G) Frame Upper Bases, x4

M) Rubber Discs, x10

solidsteel

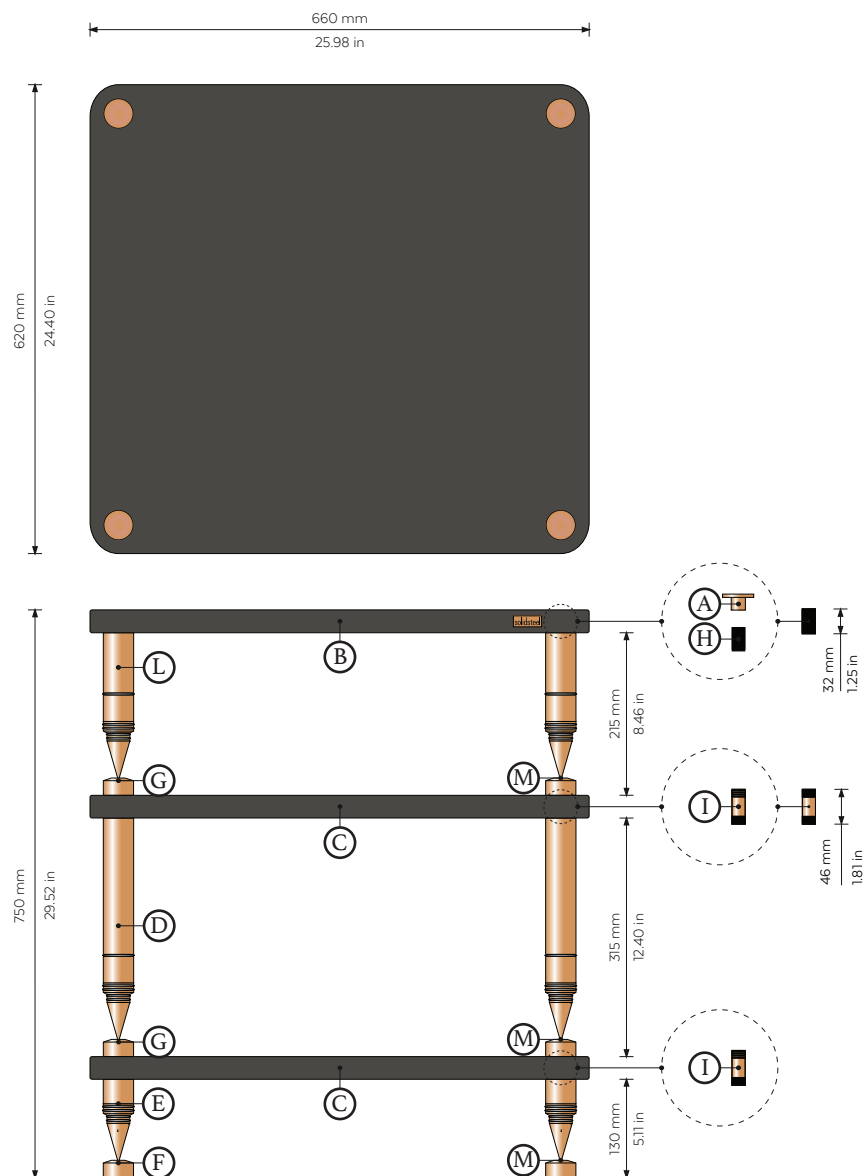
Made in Italy since 1990

HP-3 LUXURY AV RACK SERIES

SCALE 1:10

ATLANTIC

BLACK



Package Content:

- A) Top Covers, x4
- B) Top Shelf, x1
- C) Inner Shelf, x2
- D) Frame Top Poles for 315 mm (12,40 in), x4
- E) Bottom Floor Standing Hyperspike, x4
- F) Hyperspike Pads, x4
- G) Frame Upper Bases, x8
- H) Screws for the Top Shelf, x4
- I) Screws for the Inner Shelf, x8
- L) Frame Inner Poles for 215 mm (8,46 in), x4
- M) Rubber Discs, x25

solidsteel

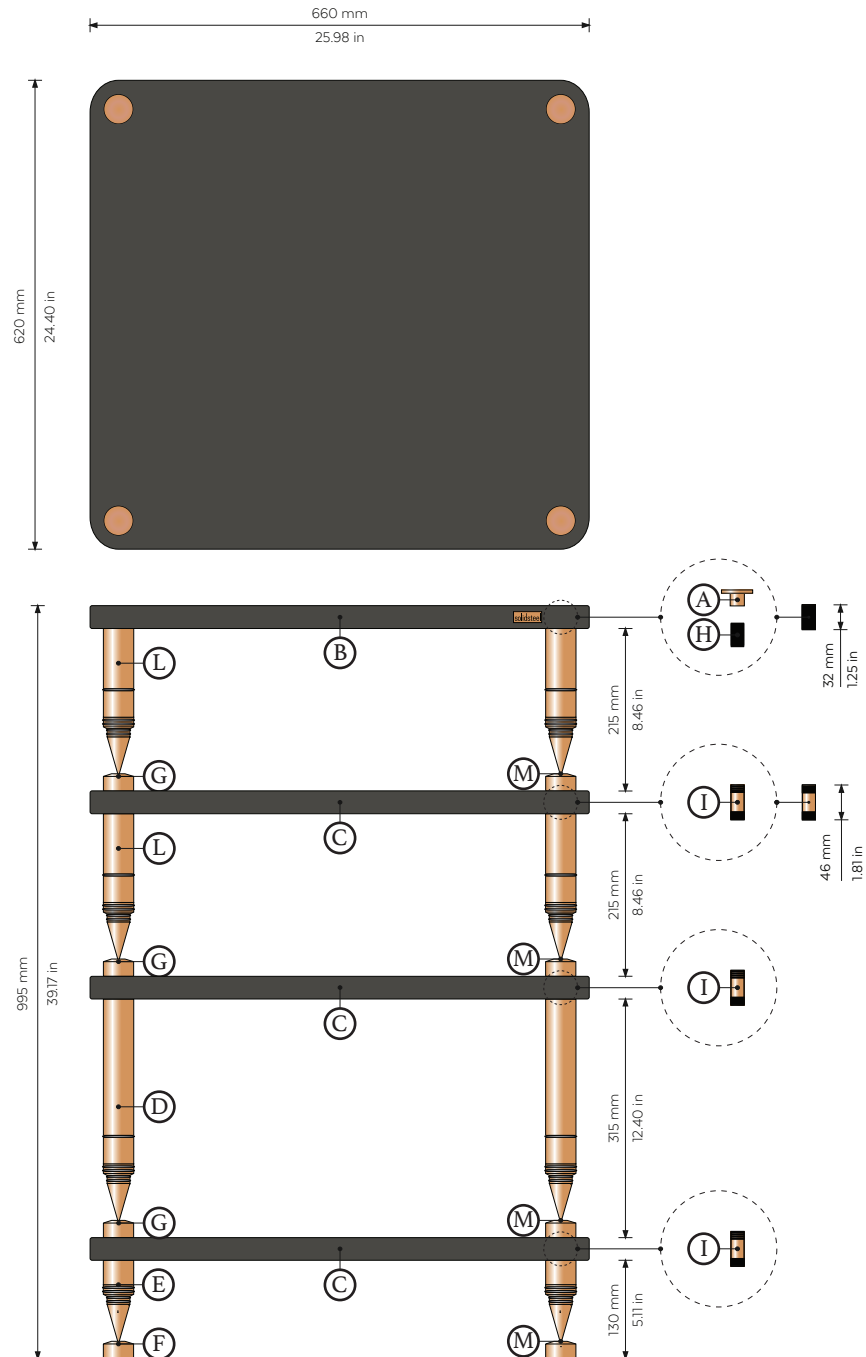
Made in Italy since 1990

HP-4 LUXURY AV RACK SERIES

SCALE 1:10

ATLANTIC

BLACK



Package Content:

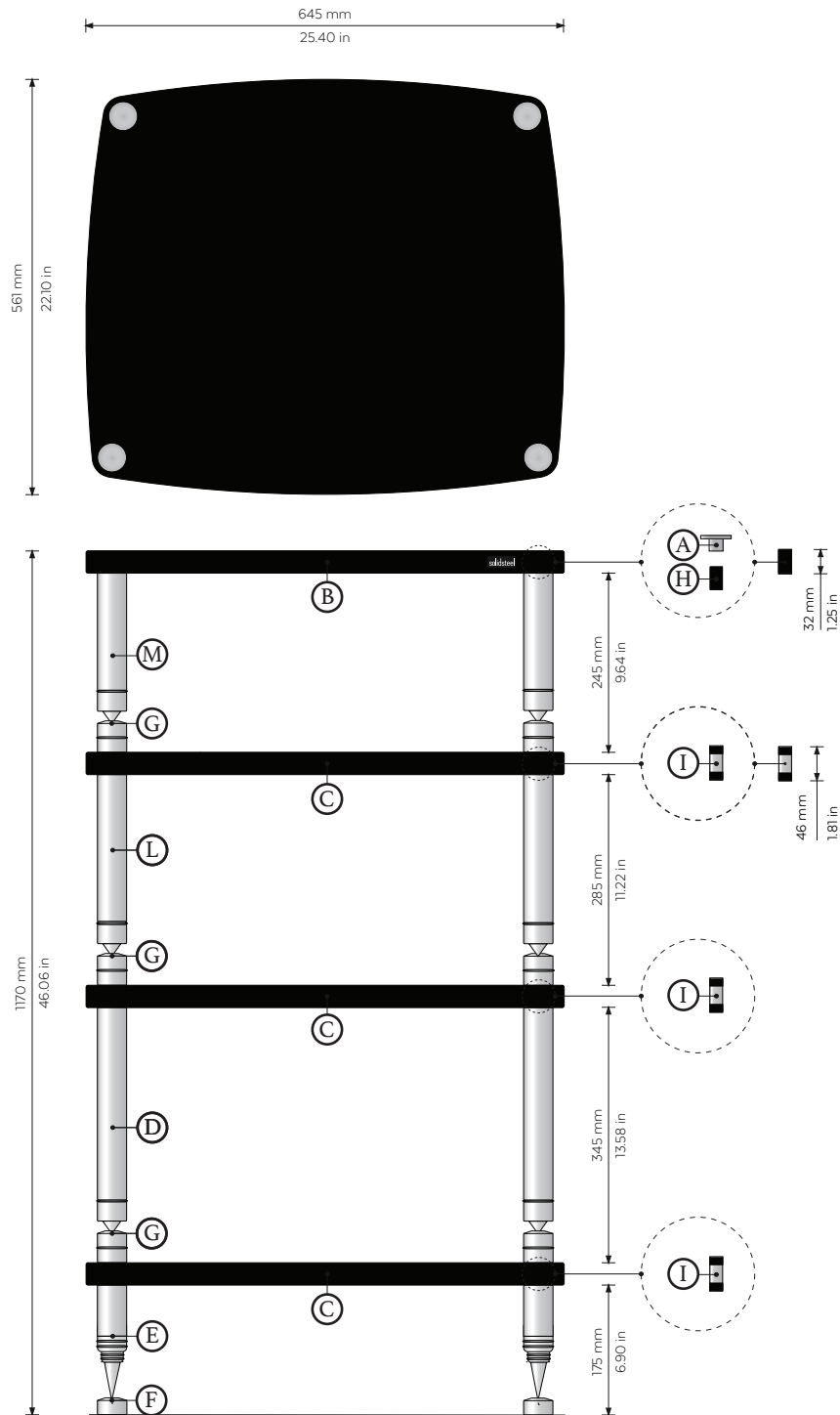
- A) Top Covers, x4
- B) Top Shelf, x1
- C) Inner Shelf, x3
- D) Frame Top Poles for 315 mm (12,40 in), x4
- E) Bottom Floor Standing Hyperspike, x4
- F) Hyperspike Pads, x4
- G) Frame Upper Bases, x12
- H) Screws for the Top Shelf, x4
- I) Screws for the Inner Shelf, x12
- L) Frame Inner Poles for 215 mm (8,46 in), x8
- M) Rubber Discs, x30

solidsteel

Made in Italy since 1990

HF-4 COLOSSUS SPECIAL RACK

SCALE 1:10



Package Content:

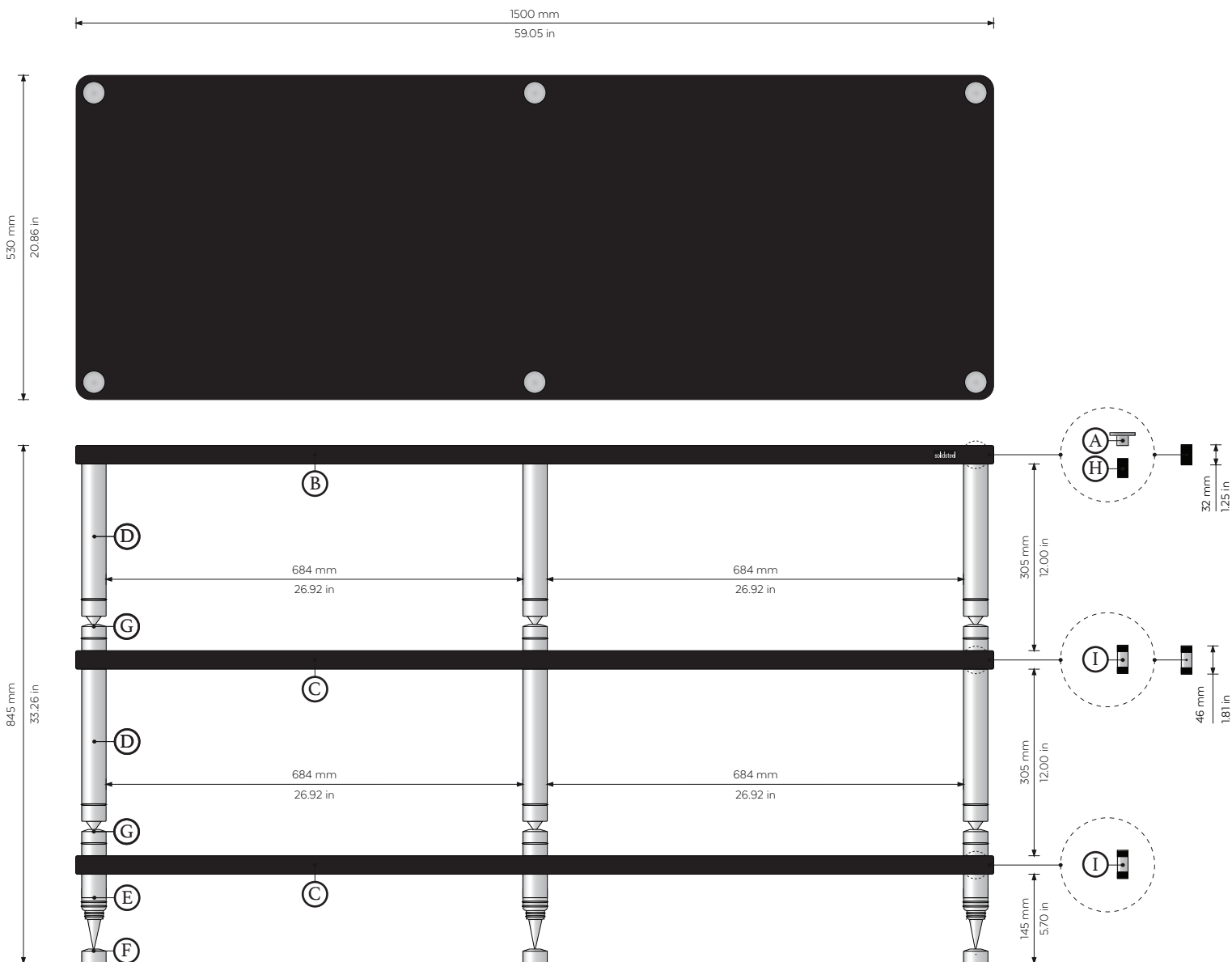
- A) Top Covers, x4
- B) Top Shelf, x1
- C) Inner Shelf, x3
- D) Frame Top Poles for 315 mm (12,40 in), x4
- E) Bottom Floor Standing Hyperspike, x4
- F) Hyperspike Pads, x4
- G) Frame Upper Bases, x12
- H) Screws for the Top Shelf, x4
- I) Screws for the Inner Shelf, x12
- L) Frame Inner Poles for 285 mm (11,22 in), x4
- M) Frame Inner Poles for 245 mm (9,64), x4

solidsteel

Made in Italy since 1990

HFW-3XL SPECIAL RACK

SCALE 1:10



Package Content:

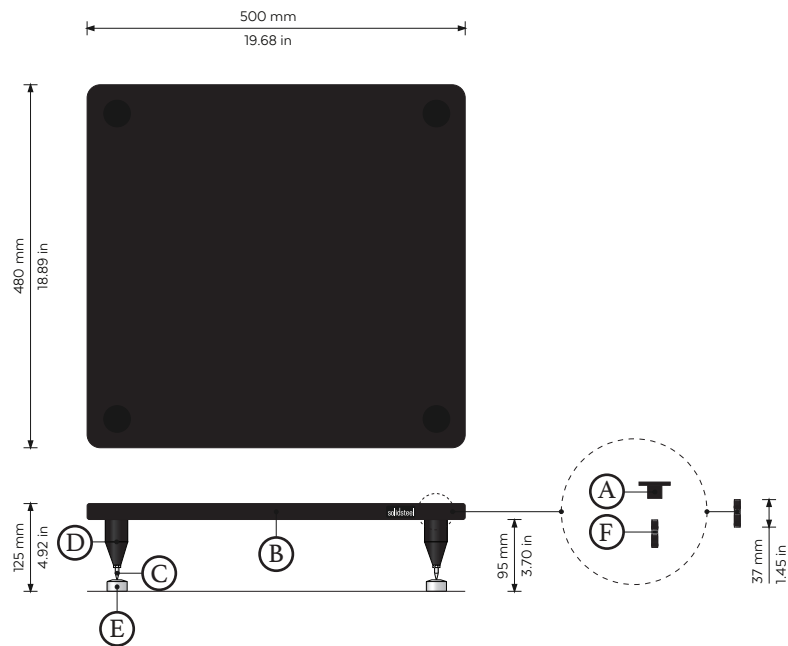
- A) Top Covers, x6
- B) Top Shelf, x1
- C) Inner Shelf, x2
- D) Frame Top Poles for 305 mm (12,00 in), x12
- E) Bottom Floor Standing Hyperspike, x6
- F) Hyperspike Pads, x6
- G) Frame Upper Bases, x12
- H) Screws for the Top Shelf, x6
- I) Screws for the Inner Shelf, x12

solidsteel

Made in Italy since 1990

VIBESTAND BS-S SERIES SMALL PRO AUDIO BASE FOR BASS PLAYERS

SCALE 1:10



Package Content:

A) Top Covers, x4

B) Top Shelf, x1

C) Adjustable Spikes & M8 Nut, x4

D) Bottom Floor Standing Hardware, x4

E) Protective Inox Floor Discs, x4

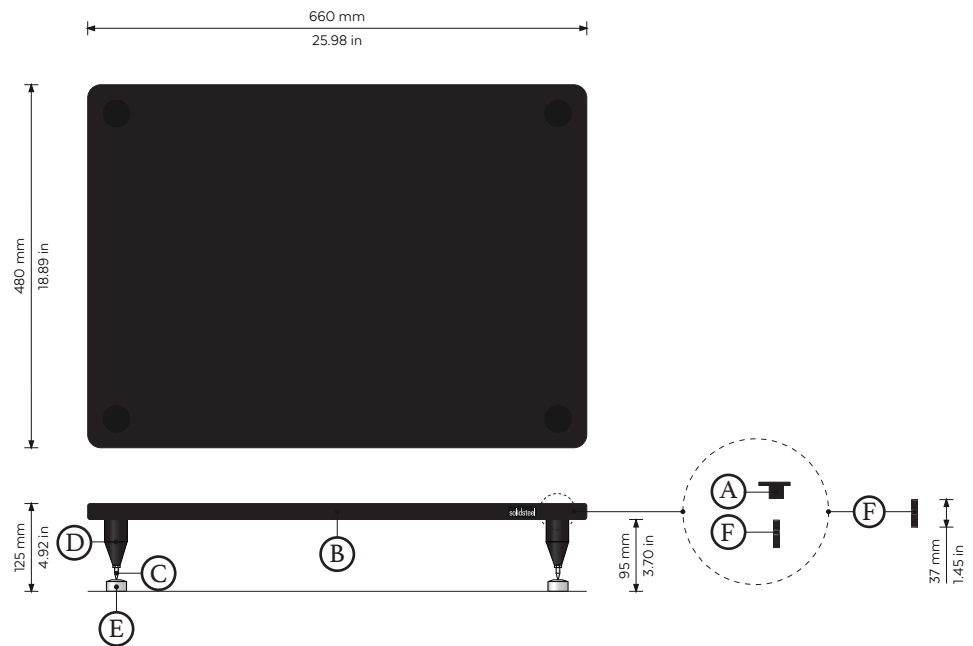
F) Screws for the Top, x4

solidsteel

Made in Italy since 1990

VIBESTAND BS-L SERIES LARGE PRO AUDIO BASE FOR BASS PLAYERS

SCALE 1:10



Package Content:

- A) Top Covers, x4
- B) Top Shelf, x1
- C) Adjustable Spikes & M8 Nut, x4

- D) Bottom Floor Standing Hardware, x4
- E) Protective Inox Floor Discs, x4
- F) Screws for the Top, x4

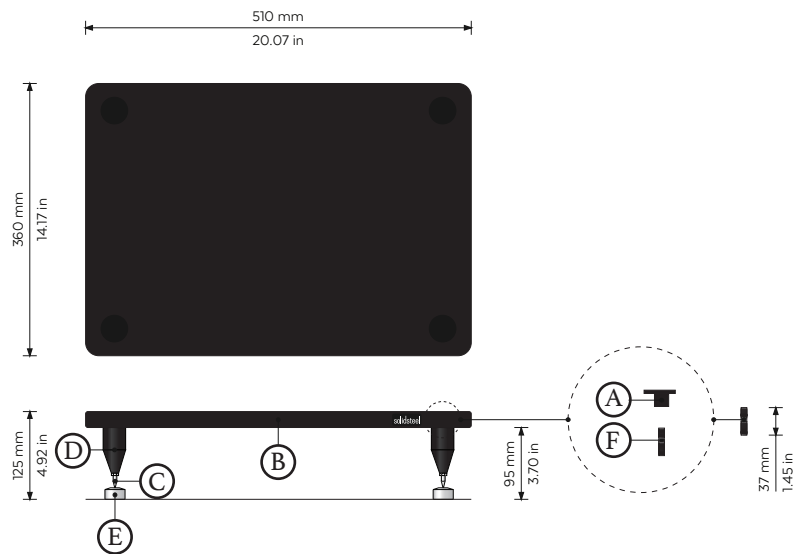
solidsteel

Made in Italy since 1990

VIBESTAND GS-S SERIES

SMALL PRO AUDIO BASE FOR GUITAR PLAYERS

SCALE 1:10



Package Content:

A) Top Covers, x4

B) Top Shelf, x1

C) Adjustable Spikes & M8 Nut, x4

D) Bottom Floor Standing Hardware, x4

E) Protective Inox Floor Discs, x4

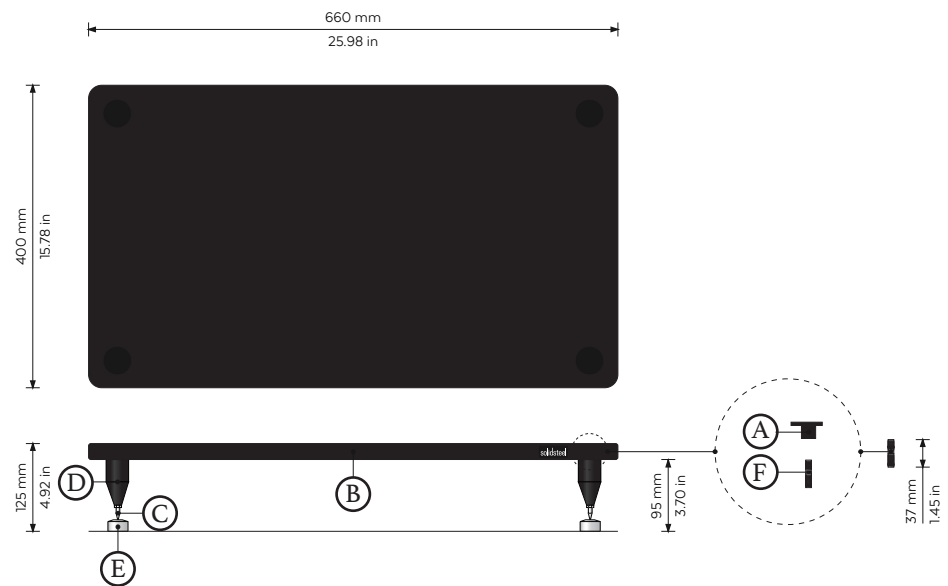
F) Screws for the Top, x4

solidsteel

Made in Italy since 1990

VIBESTAND GS-L SERIES LARGE PRO AUDIO BASE FOR GUITAR PLAYERS

SCALE 1:10



Package Content:

A) Top Covers, x4

B) Top Shelf, x1

C) Adjustable Spikes & M8 Nut, x4

D) Bottom Floor Standing Hardware, x4

E) Protective Inox Floor Discs, x4

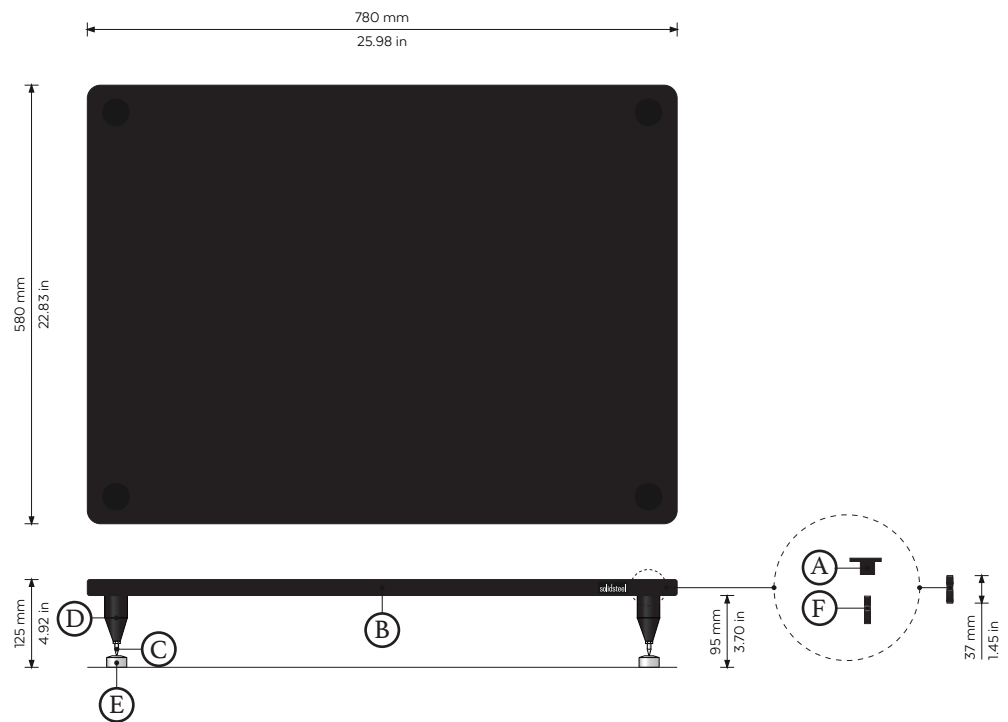
F) Screws for the Top, x4

solidsteel

Made in Italy since 1990

VIBESTAND BGS-XL SERIES EXTRA-LARGE PRO AUDIO BASE FOR BASS AND GUITAR PLAYERS

SCALE 1:10



Package Content:

A) Top Covers, x4

B) Top Shelf, x1

C) Adjustable Spikes & M8 Nut, x4

D) Bottom Floor Standing Hardware, x4

E) Protective Inox Floor Discs, x4

F) Screws for the Top, x4

solidsteel

TO SERVE MUSIC AND NOTHING ELSE



© Copyright 2023
Solidsteel MC Group S.r.l. - ITALY - P.IVA IT02049800689
info@solidsteel.it
www.solidsteel.it
